

SLIDE SWITCH FOR P.C.B. ESP-SPDT SERIES



ESP10XX



ESP20XX



ESP30XX



ESP40XX

■ FEATURES

- The distance of 2 adjacent pins or stacked devices is 2.54 mm pitch
- All plastics are UL 94V-0 grade fire retardant
- Low contact resistance and long mechanical life, suitable for signal switching and communication equipments
- RoHS Compliant

■ APPLICATIONS

- Measuring point changeover switches
- Service switch
- Controls for consumer devices

■ SPECIFICATIONS

1. ELECTRICAL CHARACTERISTICS

● Contact rating	0.2A, 24VDC; 0.5A, 12VDC
● Minimum contact rating	1mA, 10mV
● Contact resistance	initial: 50mΩ Max.
	after life test: 200mΩ Max.
● Dielectric strength	2mA, 500VDC for 60sec.
● Capacitance	1.5pF Max.
● Insulation resistance	1000MΩ Min. at 100VDC
● Mechanical life	2000 operations



2. GENERAL CHARACTERISTICS

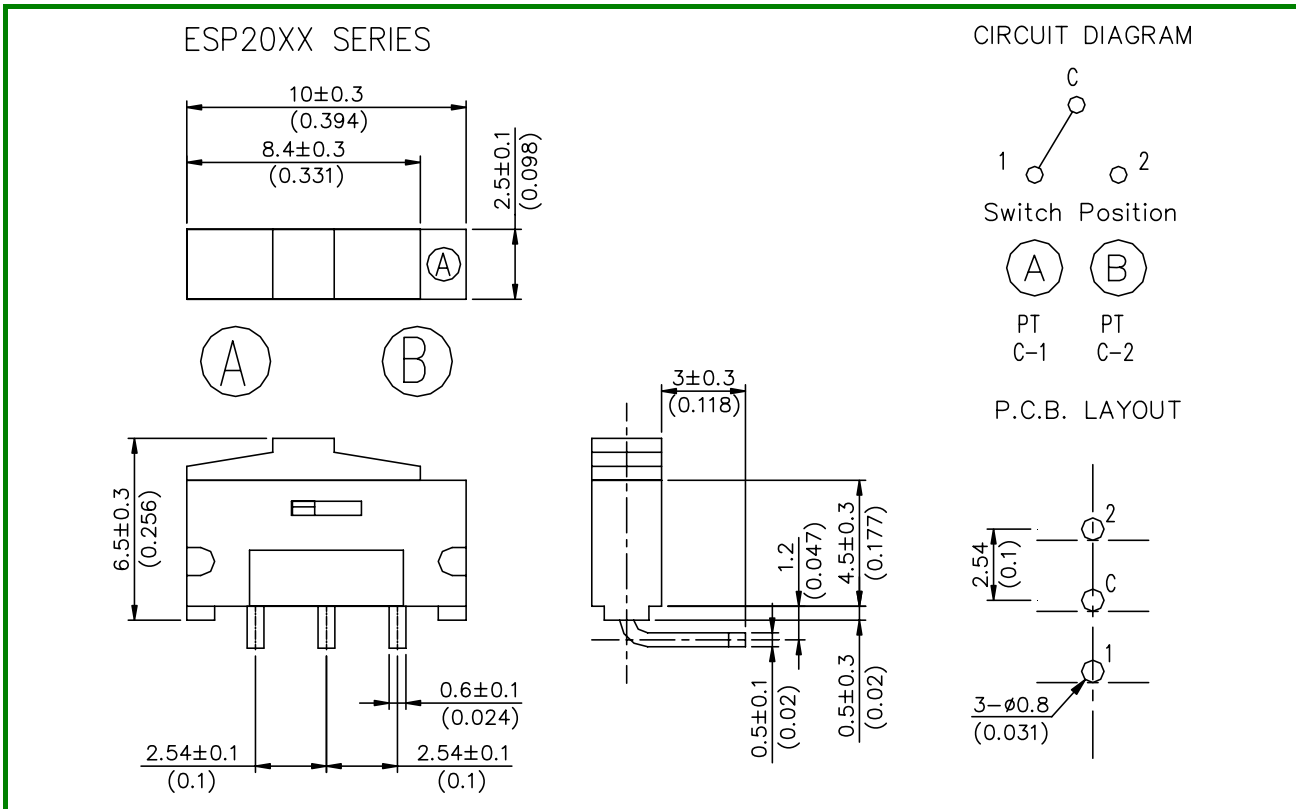
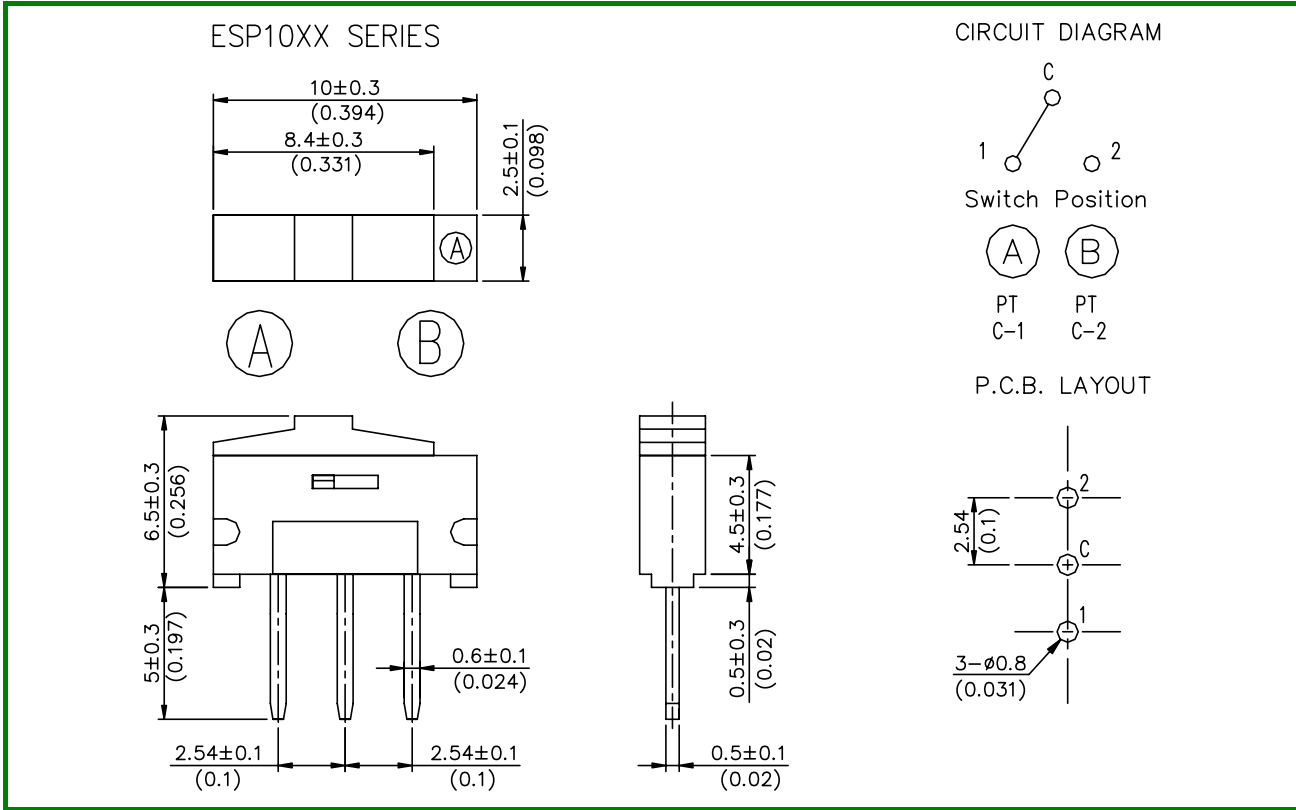
● Temperature range	operating	-40°C to +85°C
	storage	-40°C to +85°C
● Solder temperature		230°C for 3 sec.
● Vibration		10Hz-55Hz-10Hz for 6 Hrs.
● Salt spray		35°C, 5% for 24hours
● Reflow soldering heat for SMT type (reference only)		

■ PART NUMBERING SYSTEM

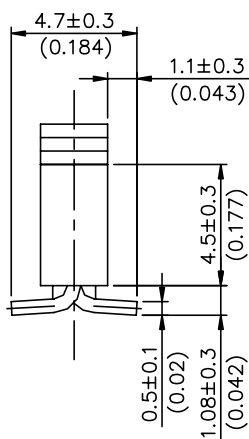
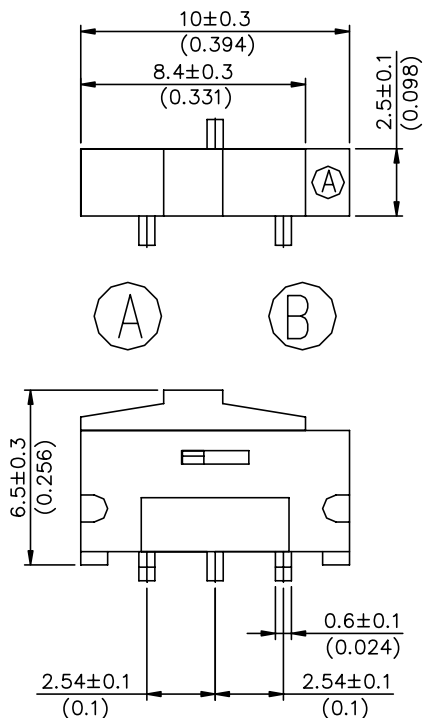
ESP XX XX XX

XX: Special product number
 Material type:
 10: Standard version (Blue)
 20: Tropical version (Black)
 KD: Tape & Reel Package (For ESP30/40 series only)
 Terminal:
 10: Straight type
 20: Right angle type
 30: Stand V-type surface mount (Tropical version only)
 40: Gull wing type surface mount (Tropical version only)
 Series name: ESP: SLIDE SWITCH FOR P.C.B.

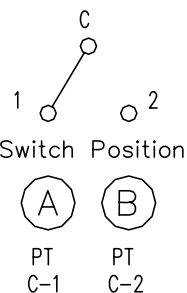
■ DIMENSIONS AND CIRCUITRY UNIT:mm(inch)



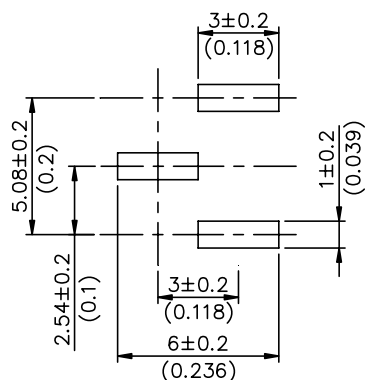
ESP30XX SERIES



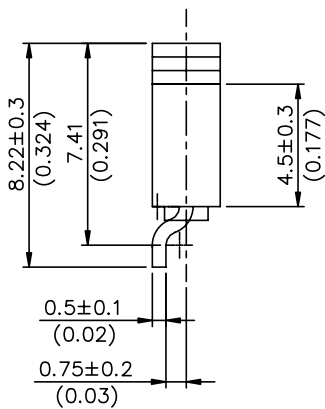
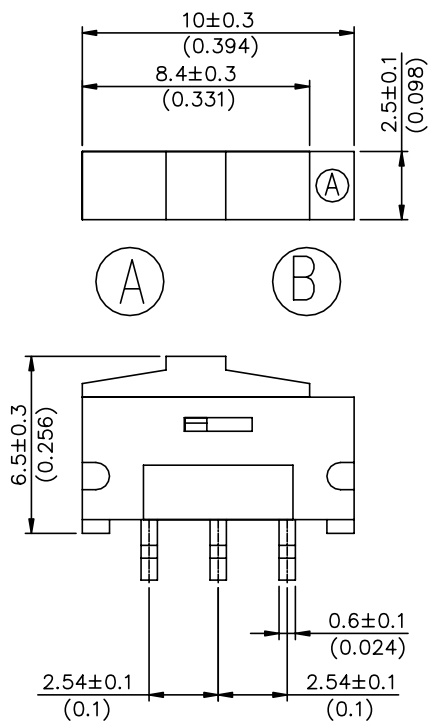
CIRCUIT DIAGRAM



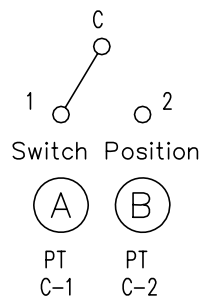
P.C.B. LAYOUT



ESP40XX SERIES



CIRCUIT DIAGRAM



P.C.B. LAYOUT

