

80x80x32 mm (IP Series)

50.3~59.4 CFM

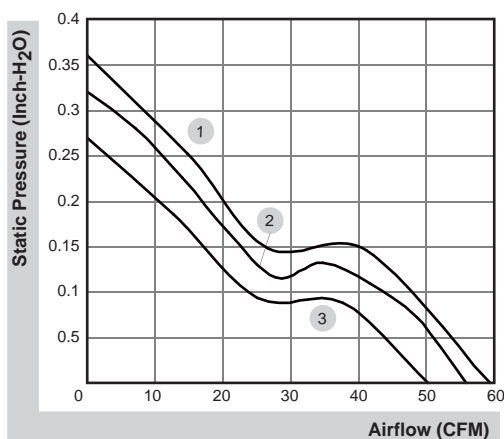


■ Specifications

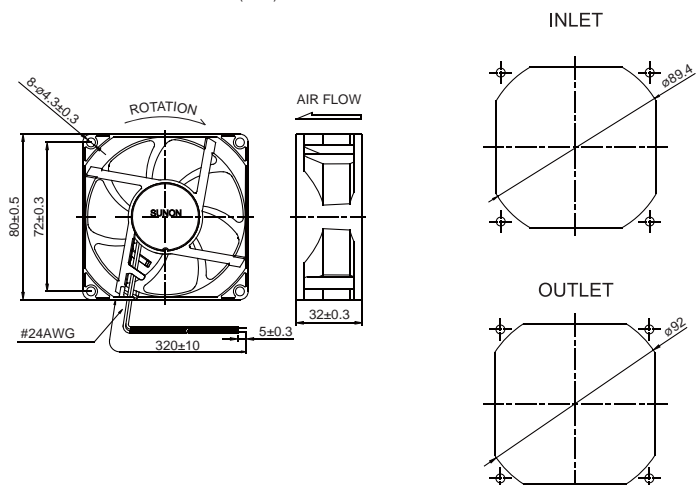
IP56 Model	Bearing	Rating Voltage	Power Current	Power Consumption	Speed	Air Flow	Static Pressure	Noise	Weight	Curve
	2BALL Sleeve	(VDC)	(mA)	(WATTS)	(RPM)	(CFM)	(Inch-H ₂ O)	(dB(A))	(g)	
GF80321B1-0000-AC9	☉	12	310	3.72	4800	59.4	0.36	45.2	109.0	1
GF80321B2-0000-AC9	☉	12	230	2.76	4500	55.9	0.32	43.1	109.0	2
GF80321B3-0000-AC9	☉	12	190	2.28	4100	50.3	0.27	41.1	109.0	3

IP68 Model	Bearing	Rating Voltage	Power Current	Power Consumption	Speed	Air Flow	Static Pressure	Noise	Weight	Curve
	2BALL Sleeve	(VDC)	(mA)	(WATTS)	(RPM)	(CFM)	(Inch-H ₂ O)	(dB(A))	(g)	
GF80321B1-0000-AE9	☉	12	310	3.72	4800	59.4	0.36	45.2	109.0	1
GF80321B2-0000-AE9	☉	12	230	2.76	4500	55.9	0.32	43.1	109.0	2
GF80321B3-0000-AE9	☉	12	190	2.28	4100	50.3	0.27	41.1	109.0	3

■ Air Flow-Static Pressure Characteristics



■ External dimensions(mm)



*All model could be customized. Please contact with Sunon Sales.

*Specifications are subject to change without notice. Please Visit SUNON website at www.sunon.com for update information.