

# DRAN60 SERIES



AC - DC DIN RAIL MOUNTABLE  
60W CLASS 2 OUTPUT  
INDUSTRIAL CONTROL EQUIPMENT

## FEATURES

- AC/DC POWER MODULE
- UNIVERSAL INPUT 85~264VAC
- HIGH EFFICIENCY UP TO 89%
- SHORT CIRCUIT PROTECTION
- INTERNAL INPUT FILTER
- 2 YEARS WARRANTY

## MODEL LIST

MODEL NO.	INPUT VOLTAGE	OUTPUT WATTAGE	OUTPUT VOLTAGE	OUTPUT CURRENT	EFF. (typ.)	EFF. (min.)
<b>Single Output Models</b>						
DRAN60-05	85~264 VAC	50 WATTS	+ 5 VDC	10000 mA	79%	77%
DRAN60-12	85~264 VAC	60 WATTS	+ 12 VDC	5000 mA	86%	84%
DRAN60-24	85~264 VAC	60 WATTS	+ 24 VDC	2500 mA	89%	86%
DRAN60-48	85~264 VAC	60 WATTS	+ 48 VDC	1250 mA	89%	86%

## SPECIFICATION

All Specifications Typical At Nominal Line, Full Load, 25°C Unless Otherwise Noticed

GENERAL						
Characteristics	Conditions	min.	typ.	max.	unit	
Isolation voltage	Input / Output	3,000			VAC	
Isolation resistance	Input / Output, @ 500VDC	100			MΩ	
Ambient temperature	Operating at Vi nom	-10		+ 71	°C	
Derating	Vi nom, from +61°C to +71°C			2.5	% / °C	
Storage temperature	Non operational	-25		+ 85	°C	
Relative humidity	Vi nom, Io nom	20		90	% RH	
Dimension	L90 x W40.5 x D115				mm	
Cooling	Free air convection					
Case material	Plastic					
INPUT SPECIFICATIONS						
Characteristics	Conditions	min.	typ.	max.	unit	
Rated input voltage	Io nom	100		240	VAC	
Input voltage range	Ta min ... Ta max, Io nom	AC in	85	264	VAC	
		DC in	90	375	VDC	
Line frequency	Vi nom, Io nom	47		63	Hz	
Inrush current	Io nom	Vi : 115VAC		30	A	
		Vi : 230VAC		60	A	

### SPECIFICATION

All Specifications Typical At Nominal Line, Full Load, 25°C Unless Otherwise Noticed

#### OUTPUT SPECIFICATIONS

Characteristics	Conditions		min.	typ.	max.	unit
Output voltage accuracy	Vi nom, Io min ...Io nom				± 1	%
Minimum load	Vi nom		0			%
Line regulation	Io nom, Vi min ...Vi max				0.5	%
Load regulation	Vi nom, Io min ...Io nom				0.5	%
Turn on time	After AC is applied to input at full resistive load				1,000	ms
Voltage fall time	Io nom, Vo=95% ~ 10% rated voltage				150	ms
Voltage rise time	At full resistive load				150	ms
Hold up time	Io nom	Vi : 115VAC	20			ms
		Vi : 230VAC	30			ms
Ripple & noise	Vi nom, Io nom, BW = 20MHz				50	mV
Voltage trim range	Vi nom, Wo = 50W max	5V model	5		5.5	VDC
	Vi nom, Wo = 60W max	12V model	12		14	VDC
	Vi nom, Wo = 60W max	24V model	24		28	VDC
	Vi nom, Wo = 60W max	48V model	48		55	VDC
DC ON indicator threshold at start up	Vi nom, Io nom	5V model	4			VDC
		12V model	9.6			VDC
		24V model	19.2			VDC
		48V model	37			VDC
Efficiency	Vi nom, Io nom, Po / Pi		Up to 89% , see model list			

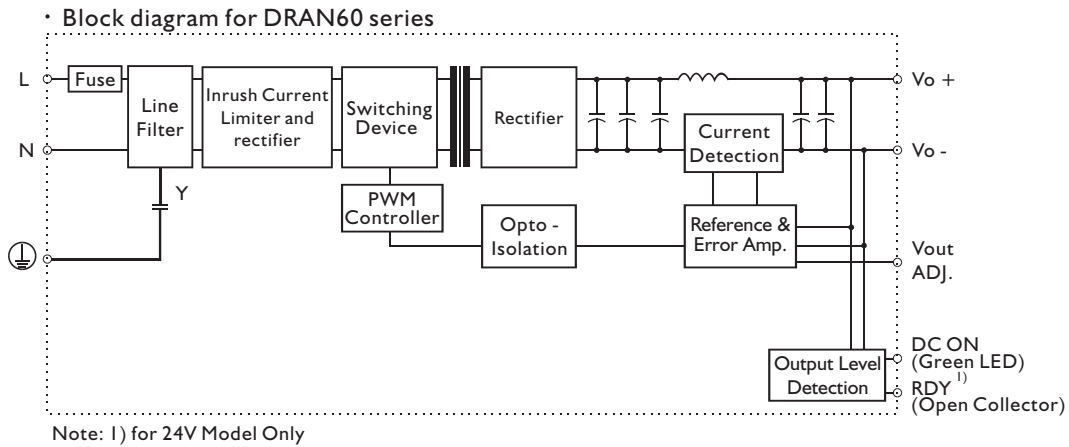
#### CONTROL AND PROTECTION

Characteristics	Conditions		min.	typ.	max.	unit
Rated over load protection	Vi nom		110		150	%
Over voltage protection	Vi nom, Io nom	5V model	6.0		6.8	VDC
		12V model	15		16.5	VDC
		24V model	30		33	VDC
		48V model	60		66	VDC
Output short circuit	Vi nom, Io nom		Fold forward			

#### APPROVALS AND STANDARDS

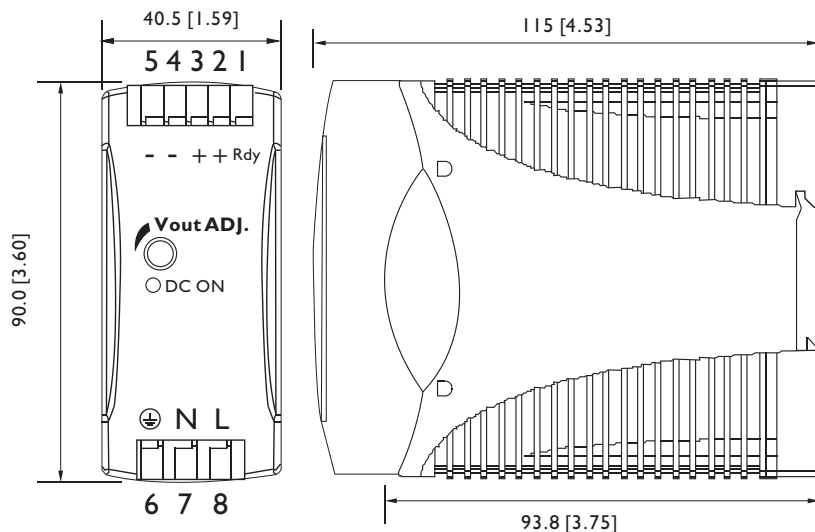
UL / cUL	UL508 Listed UL1310 Class 2 power supply (5V, 12V w/o class 2), UL60950-1 Recognized
TUV	EN60950-1
CE	EN61000-6-3, EN55022 Class B EN61000-3-2, EN61000-3-3 EN61000-6-2, EN55024, EN61000-4-2, EN61000-4-3, EN61000-4-4, EN61000-4-5, EN61000-4-6, EN61000-4-8, EN61000-4-11

## CIRCUIT SCHEMATIC



## MECHANISM & PIN CONFIGURATION

mm [inch]



### CONSTRUCTION

Easy snap-on mounting onto the DIN-Rail (TS35/7.5 or TS35/15), unit sits safely and firmly on the rail; no tools required even to remove

### INSTALLATION

Ventilation / Cooling  
Normal convection  
All sides 25mm free space  
For cooling recommended  
Connector size range  
Solid: 0.2-2.0mm<sup>2</sup> (AWG24-14)  
(use copper conductors only)

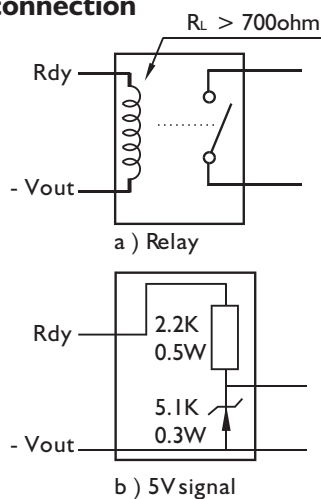
## PHYSICAL CHARACTERISTICS

CASE SIZE	90 x 40.5 x 115 mm 3.6 x 1.59 x 4.53 inches
CASE MATERIAL	Plastic
WEIGHT	360g

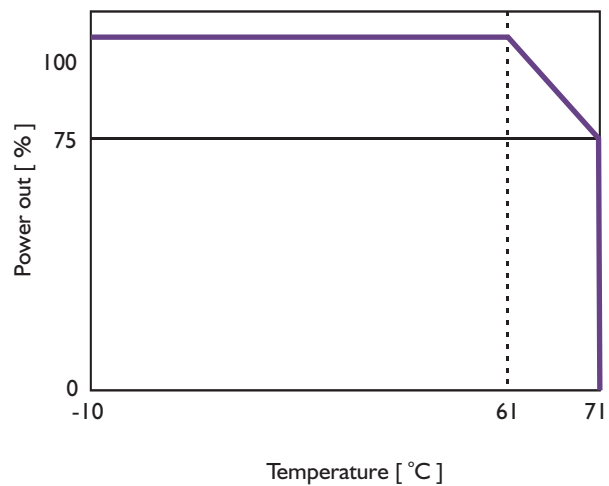
## PIN ASSIGNMENT

PIN NO.	Designation	Description
1	RDY	DC OK output for relay (not connect except 24V model)
2	+	Positive output terminal
3	+	Positive output terminal
4	-	Negative output terminal
5	-	Negative output terminal
6	⊕	Ground this terminal to minimize high-frequency emissions
7	N	Input terminals (neutral conductor, no polarity at DC input)
8	L	Input terminals (phase conductor, no polarity at DC input)
	Vout ADJ.	Trimmer-potentiometer for Vout adjustment
	DC ON	Operation indicator LED

Fig. 1 Rdy connection



## DERATING



# DRAN60 SERIES



AC - DC DIN RAIL MOUNTABLE  
60W CLASS 2 OUTPUT  
INDUSTRIAL CONTROL EQUIPMENT

## FEATURES

- AC/DC POWER MODULE
- UNIVERSAL INPUT 85~264VAC
- HIGH EFFICIENCY UP TO 89%
- SHORT CIRCUIT PROTECTION
- INTERNAL INPUT FILTER
- 2 YEARS WARRANTY

## MODEL LIST

MODEL NO.	INPUT VOLTAGE	OUTPUT WATTAGE	OUTPUT VOLTAGE	OUTPUT CURRENT	EFF. (typ.)	EFF. (min.)
<b>Single Output Models</b>						
DRAN60-05A	85~264 VAC	50 WATTS	+ 5 VDC	10000 mA	79%	77%
DRAN60-12A	85~264 VAC	60 WATTS	+ 12 VDC	5000 mA	86%	84%
DRAN60-24A	85~264 VAC	60 WATTS	+ 24 VDC	2500 mA	89%	86%
DRAN60-48A	85~264 VAC	60 WATTS	+ 48 VDC	1250 mA	89%	86%

## SPECIFICATION

All Specifications Typical At Nominal Line, Full Load, 25°C Unless Otherwise Noticed

GENERAL						
Characteristics	Conditions		min.	typ.	max.	unit
Isolation voltage	Input / Output		3,000			VAC
Isolation resistance	Input / Output, @ 500VDC		100			MΩ
Ambient temperature	Operating at Vi nom		-10		+ 71	°C
Derating	Vi nom, from +61°C to +71°C				2.5	% / °C
Storage temperature	Non operational		-25		+ 85	°C
Relative humidity	Vi nom, Io nom		20		90	% RH
Dimension	L90 x W40.5 x D115					mm
Cooling	Free air convection					
Case material	Plastic					
INPUT SPECIFICATIONS						
Characteristics	Conditions		min.	typ.	max.	unit
Rated input voltage	Io nom		100		240	VAC
Input voltage range	Ta min ... Ta max, Io nom	AC in	85		264	VAC
		DC in	90		375	VDC
Line frequency	Vi nom, Io nom		47		63	Hz
Inrush current	Io nom	Vi : 115VAC			30	A
		Vi : 230VAC			60	A

## SPECIFICATION

All Specifications Typical At Nominal Line, Full Load, 25°C Unless Otherwise Noticed

### OUTPUT SPECIFICATIONS

Characteristics	Conditions	min.	typ.	max.	unit
Output voltage accuracy	Vi nom, Io min ...Io nom			± 1	%
Minimum load	Vi nom	0			%
Line regulation	Io nom, Vi min ...Vi max			0.5	%
Load regulation	Vi nom, Io min ...Io nom			0.5	%
Turn on time	After AC is applied to input at full resistive load			1,000	ms
Voltage fall time	Io nom, Vo=95% ~ 10% rated voltage			150	ms
Voltage rise time	At full resistive load			150	ms
Hold up time	Io nom	Vi : 115VAC	20		ms
		Vi : 230VAC	30		ms
Ripple & noise	Vi nom, Io nom, BW = 20MHz			50	mV
Voltage trim range	Vi nom, Wo =50W max	5V model	5	5.5	VDC
	Vi nom, Wo =60W max	12V model	12	14	VDC
	Vi nom, Wo =60W max	24V model	24	28	VDC
	Vi nom, Wo =60W max	48V model	48	55	VDC
DC ON indicator threshold at start up	Vi nom, Io nom	5V model	4		VDC
		12V model	9.6		VDC
		24V model	19.2		VDC
		48V model	37		VDC
Efficiency	Vi nom, Io nom, Po / Pi	Up to 89% , see model list			

### CONTROL AND PROTECTION

Characteristics	Conditions	min.	typ.	max.	unit
Rated over load protection	Vi nom	110		150	%
Over voltage protection	Vi nom, Io nom	5V model	6.0	6.8	VDC
		12V model	15	16.5	VDC
		24V model	30	33	VDC
		48V model	60	66	VDC
Output short circuit	Vi nom, Io nom	Fold forward			

### APPROVALS AND STANDARDS

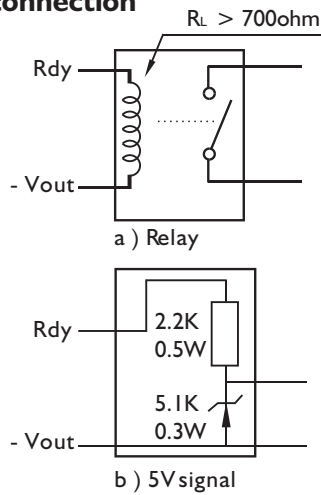
UL / cUL	UL508 Listed UL1310 Class 2 power supply (5V, 12V w/o class 2), UL60950-1 Recognized
TUV	EN60950-1
CE	EN61000-6-3, EN55022 Class B
	EN61000-3-2, EN61000-3-3
	EN61000-6-2, EN55024, EN61000-4-2, EN61000-4-3, EN61000-4-4, EN61000-4-5, EN61000-4-6, EN61000-4-8, EN61000-4-11



## PIN ASSIGNMENT

PIN NO.	Designation	Description
1	RDY	DC OK output for relay (not connect except 24V model)
2	+	Positive output terminal
3	+	Positive output terminal
4	-	Negative output terminal
5	-	Negative output terminal
6	⊕	Ground this terminal to minimize high-frequency emissions
7	N	Input terminals (neutral conductor, no polarity at DC input)
8	L	Input terminals (phase conductor, no polarity at DC input)
	Vout ADJ.	Trimmer-potentiometer for Vout adjustment
	DC ON	Operation indicator LED

Fig. 1 Rdy connection



## DERATING

