



FEATURES:

- I/O Isolation 4000VAC
- Operating Temp: -25 to +80 °C
- Input: 90-260VAC, 47-440Hz, or 120-370VDC
- Over load, Over Voltage, Short Circuit Protection
- 100% RoHS
- Energy Star compliant
- Ultra small package
- Soft start

Models
Single output

Model	Input Voltage (VAC/Hz)	Input Voltage (VDC)	Temperature range (°C)	Output Voltage (V)	Output Current max (A)	Maximum capacitive Load (µF)	Efficiency (%)
AMEL5-3.3SMAZ	90-264/47-440	120-370	-25 ~ +80	3.3	1.5	2200	68
AMEL5-5SMAZ	90-264/47-440	120-370	-25 ~ +80	5	1	1100	70
AMEL5-12SMAZ	90-264/47-440	120-370	-25 ~ +80	12	0.42	680	73
AMEL5-15SMAZ	90-264/47-440	120-370	-25 ~ +80	15	0.333	330	73
AMEL5-24SMAZ	90-264/47-440	120-370	-25 ~ +80	24	0.21	220	75

Models
Dual output

Model	Input Voltage (VAC, Hz)	Input Voltage (VDC)	Temperature range (°C)	Output Voltage (V)	Output Current max (A)	Maximum capacitive load (µF)	Efficiency (%)
AMEL5-5DMAZ	90-264/47-440	120-370	-25 ~ +80	±5	±0.5	±470	72
AMEL5-12DMAZ	90-264/47-440	120-370	-25 ~ +80	±12	±0.21	±220	73
AMEL5-15DMAZ	90-264/47-440	120-370	-25 ~ +80	±15	±0.168	±150	75

Input Specifications

Parameters	Conditions	Typical	Maximum	Units
Current (full load)	115 VAC		120	mA
	230 VAC		70	mA
Inrush current <2ms (cold start)	115 VAC		10	A
	230 VAC		20	A
Leakage current			0.2	mA
External fuse	Recommended slow blow type	1.5		A
Input Dissipation (No Load)		<0.3		W
Start up time	Soft Start	15		mS
Under Voltage Protection		89		VAC

Output Specifications

Parameters	Conditions	Typical	Maximum	Units
Voltage accuracy		±2		%
Line regulation		±0.5		%
Load regulation (0-100% load)		±0.5		%
Cross Regulation (dual output)	25% load - 1 st out, 100% load - 2 nd out	±5		%
Transient Recovery Time		200		µs
Transient Response Deviation	25% load step	±2		% of Vout
Minimum load		0		%
Ripple & Noise	3.3 & 5V models	50		mV p-p
	12, 15 & 24V models	100		mV p-p
Hold-up time (minimum)		15		ms

Isolation Specifications

Parameters	Conditions	Typical	Maximum	Units
Input / Output (tested)	3sec	4000		VAC
Isolation Resistance		>1000		MΩ

General Specifications

Parameters	Conditions	Typical	Maximum	Units
Switching frequency		132		KHz
Over Load protection	Auto recovery, hiccup mode	>116		%
Over voltage protection		Zener diode clamp		
Short circuit protection	Auto recovery			
Operating temperature	With derating above 50°C	-25 to +80 max		°C
Storage temperature		-40 to +95		°C
Maximum Case temperature			100	°C
Temperature coefficient		0.02		% / °C
Cooling	Free air convection			
Humidity	Non condensing	20 ~ 95		% RH
Case material	Plastic resin + Fiberglass (flammability to UL 94V-0)			
Weight		30		g
Dimensions (L x W x H)	2.03 x 1.03 x 0.62 inches		51.50 x 26.1 x 15.8 mm	
MTBF	> 400 000 hrs (MIL-HDBK -217F, t=+25°C)			

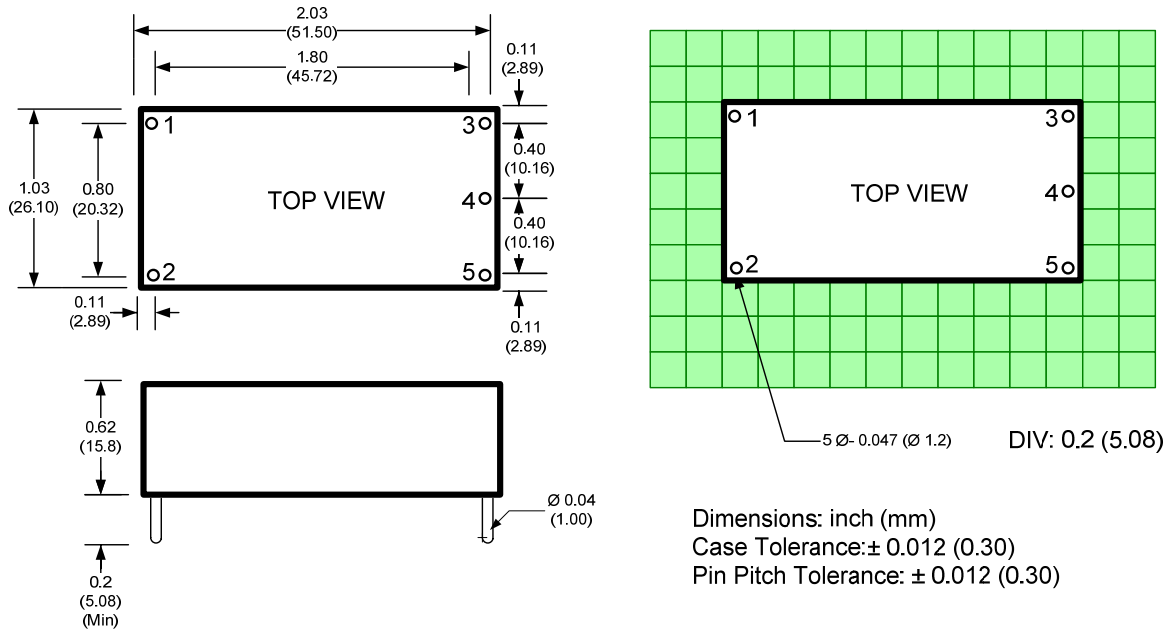
Safety Specifications

Standards		
Agency approvals	cULus, CE, CB	
Safety	EMI - Conducted and radiated emission	EN55011, class B
	Harmonic Current Emissions	IEC/EN 61000-3-2, (EN60555-2)
	Voltage fluctuations and flicker	IEC/EN 61000-3-3, (EN60555-3)
	Medical Electrical Equipment	EN 60601-1
	Electrostatic Discharge Immunity	IEC 61000-4-2
	RF, Electromagnetic Field Immunity	IEC 61000-4-3
	Electrical Fast Transient/Burst Immunity	IEC 61000-4-4
	Surge Immunity	IEC 61000-4-5
	RF, Conducted Disturbance Immunity	IEC 61000-4-6
	Power frequency Magnetic Field Immunity	IEC 61000-4-8
Voltage dips, Short Interruptions Immunity	IEC 61000-4-11	

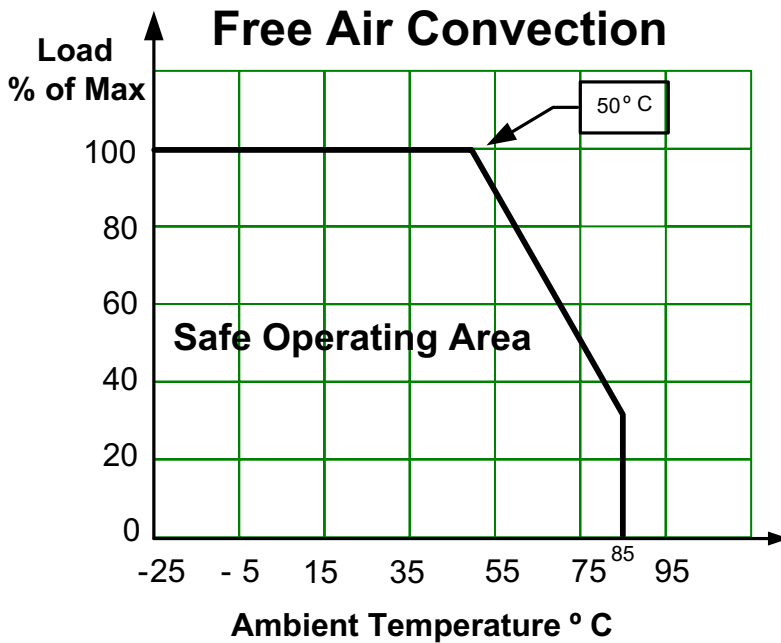
Pin Out Specifications

Pin	Single	Dual
1	AC Input (N)	AC Input (N)
2	AC Input (L)	AC Input (L)
3	+V Output	+V Output
4	-V Output	Common
5	No pin	-V Output

Dimensions



Derating



NOTE: 1. Datasheets are updated as needed and as such, specifications are subject to change without notice. Once printed or downloaded, datasheets are no longer controlled by Aimtec; refer to www.aimtec.com for the most current product specifications. 2. Product labels shown, including safety agency certifications on labels, may vary based on the date manufactured. 3. Mechanical drawings and specifications are for reference only. 4. Aimtec may not have conducted destructive testing or chemical analysis on all internal components and chemicals at the time of publishing this document. CAS numbers and other limited information are considered proprietary and may not be available for release. 5. This product is not designed for use in critical life support systems, equipment used in hazardous environments, nuclear control systems or other such applications which necessitate specific safety and regulatory standards other the ones listed in this datasheet.