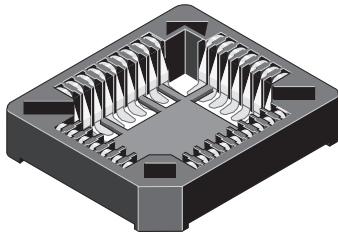


PLCC SOCKETS „SMD“

ID: 082

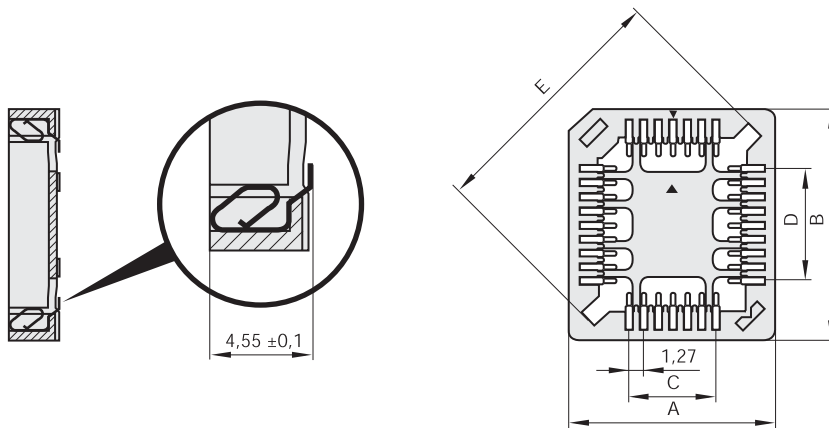
PLCC-SMD socket

Series 301



TECHNICAL DATA

Pitch	1,27 mm
Insulating Material	high temp. thermoplast UL94V-0
Contact Material	phosphor bronze
Rated Current	1 Amp.
Rated Voltage	250V _{AC}
Breakdown Voltage	min. 600 V _{RMS} for one Minute
Operating Temperature	-40°C bis +85°C
Maximum Soldering Temperature	260°C for 10 seconds



No. of contacts	Dimensions				
	A	B	C	D	E
20	15,24	15,24	5,08	5,08	16,70
28	17,78	17,78	7,62	7,62	20,30
32	17,78	20,32	7,62	10,16	22,50
44	22,86	22,86	12,70	12,70	27,50
52	25,40	25,40	15,24	15,24	31,10
68	30,82	30,82	20,32	20,32	38,30
84	35,90	35,90	25,40	25,40	45,50

All dimensions in mm.
Other dimensions upon request.

M-PLCC SMD XX T-H X U

Poles: see table

Option: R = Tape&Reel packing

U: RoHS-compliant with high temp. plastic

Extraction tool
Order code: WZ PLCC-SOJ L

6 | 1,27 mm