



FEATURES:

- RoHS compliant
- U-bracket switching power supply
- Ultra compact size
- Universal input: 90-260VAC, 47-63Hz, or 120-370VDC
- 3000 VAC Input / Output Isolation
- Low ripple and noise
- High efficiency up to 80%
- Regulated output
- CE, cULus approvals

Models Single output

Model	Input Voltage (VAC/Hz)	Input Voltage (VDC)	Max Output wattage (W)	Output Voltage (V)	Output Current max (A)	Ripple & Noise (mV p-p)	Efficiency (%)
AMEU75-5SZ	90-260/47-63	120-370	60	5	12	100	73
AMEU75-12SZ	90-260/47-63	120-370	75	12	6.25	150	80
AMEU75-15SZ	90-260/47-63	120-370	75	15	5	200	80
AMEU75-24SZ	90-260/47-63	120-370	75	24	3.13	300	80

Input Specifications

Parameters	Conditions	Typical	Maximum	Units
Current	115 VAC		2	A
	230 VAC		1	A
Inrush current <2ms	115 VAC		20	A
	230 VAC		40	A
Leakage current			1.5	mA

Output Specifications

Parameters	Conditions	Typical	Maximum	Units
Voltage accuracy		±2		%
Line regulation	LL-HL	±1		%
Load regulation	5-100%	±1		%
Maximum capacitive load	Depending of the model	470-23 000		µF
Minimum load		0		%
Hold-up time	Min	20		ms
Voltage adjustment range		±10		%

Isolation Specifications

Parameters	Conditions	Typical	Maximum	Units
Input / Output		3000		VAC
Input FG		1500		VAC
Output FG		500		VAC

General Specifications

Parameters	Conditions	Typical	Maximum	Units
Switching frequency		133		KHz
Over current protection	auto recovery	Hiccup,		
Over voltage protection		Zener diode clamp		
Short circuit protection	auto recovery	Hiccup mode, indefinite		
Operating temperature	With derating above 50°C	-25 - +70		°C
Storage temperature		-40 to +85		°C
Temperature coefficient		0.02		% / °C
Cooling		Free air convection		
Humidity	Non condensing		95	% RH

General Specifications (continued)

Parameters	Conditions	Typical	Maximum	Units
Weight		280		g
Dimensions	4.15 x 2.29 x 1.46 inches	109.6 x 58.2 x 38.10 mm ±1 mm		
MTBF		> 130 000 hrs (MIL-HDBK -217F, t=+25°C)		

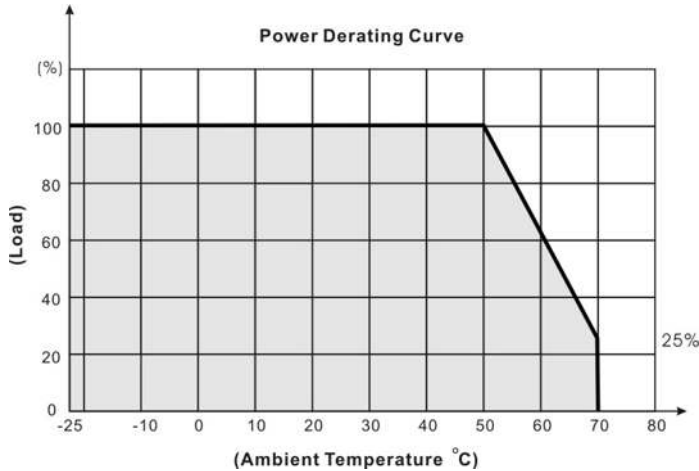
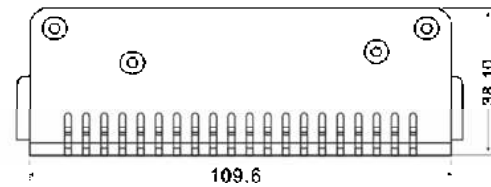
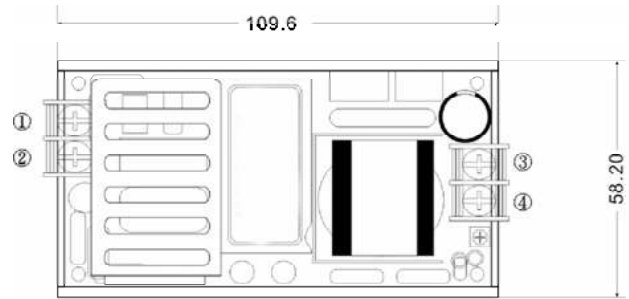
Safety Specifications

Standards	
Safety	EN55022 class B (EMI – Conducted & Radiated Emission), EN 55024 (EMS – Noise Immunity)
Agency approvals	cULus, CE

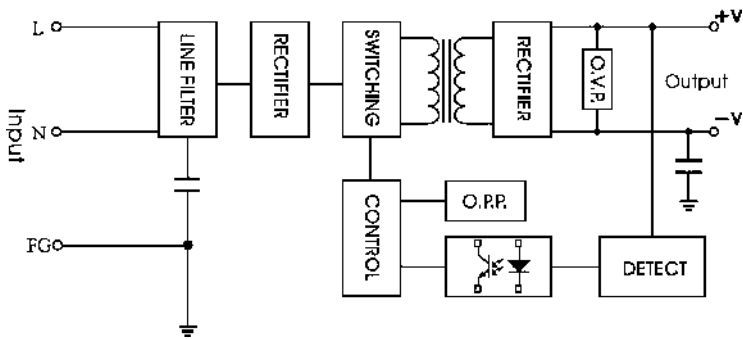
Pin Out Specifications

Pin	Single
1	AC Input (N)
2	AC Input (L)
3	+DC Output
4	-DC Output

Dimensions



Block diagram



Bottom View

