

Type Maxi



Spannung 58 V
Voltage

Strom 20 A - 100 A
Current

Ausschaltvermögen 1.000 A
Breaking capacity:



Norm / Standards:

SAE J1888, SAE J2576, ISO 8820-3

Anwendung / Application

Hochspannungsanwendungen in der Automobilindustrie, USV bis 58 V / High voltage automotive industry and UPS up to 58 V

Aufbau / Construction:

Gehäuse / Body Isolierender Kunststoff / Insulating plastic
Kontakt / Contact Zinklegierung / Zinc alloy

Verpackungsmöglichkeiten / Packing options:

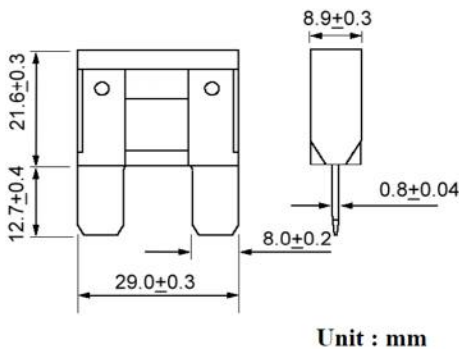
500 St. = Industrieverpackung / 500 pcs. = Industrial packaging

Bemessungswerte / Ratings:

| Art. No. | I_N | U_N [V] | R_C [mΩ] | I_{BC} [A] | Farbcode / Color Code |
|-------------|-------|-----------|------------|--------------|-----------------------|
| 343.430-58V | 20 A | 58 V | 31 | 1.000 | Gelb / Yellow |
| 343.431-58V | 30 A | 58 V | 20 | 1.000 | Grün / Green |
| 343.433-58V | 40 A | 58 V | 14 | 1.000 | Orange / Orange |
| 343.435-58V | 50 A | 58 V | 11 | 1.000 | Rot / Red |
| 343.439-58V | 60 A | 58 V | 8,9 | 1.000 | Blau / Blue |
| 343.440-58V | 70 A | 58 V | 6,9 | 1.000 | Braun / Brown |
| 343.441-58V | 80 A | 58 V | 14 | 1.000 | Weiß / White |
| 343.443-58V | 100 A | 58 V | 6,0 | 1.000 | Lila / Purple |

$I_N - t$ Verhalten / $I_N - t$ characteristics:

| Bemessungsstrom-Faktor / Rated current factor | Schmelzzeit / Melting time: | |
|---|-----------------------------|--------------|
| | 20 A - 60 A | 70 A - 100 A |
| $1,35 \cdot I_N$ | t_{min} | 1 min |
| | t_{max} | 30 min |
| $2 \cdot I_N$ | t_{min} | 4 s |
| | t_{max} | 1 min |
| $3,5 \cdot I_N$ | t_{min} | 200 ms |
| | t_{max} | 7 s |



I-t Charakteristik / Characteristics:

