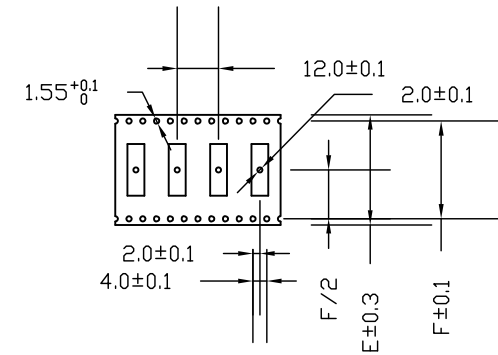
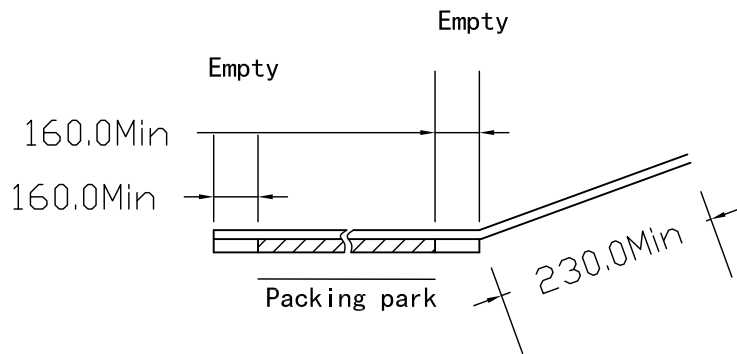
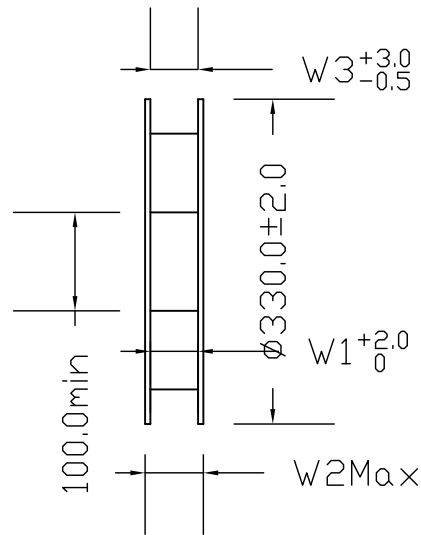
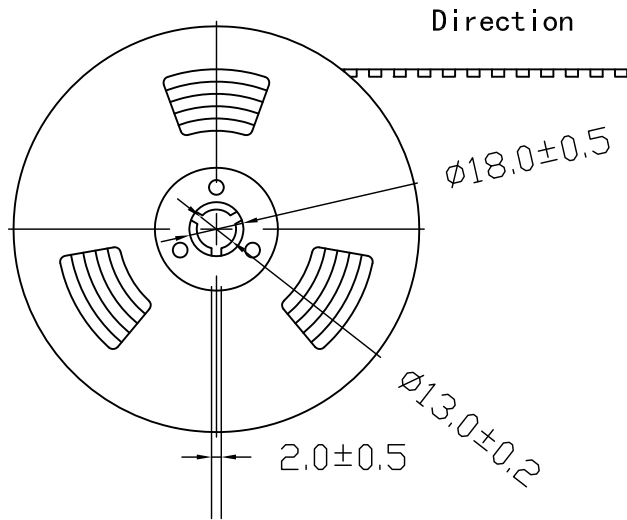


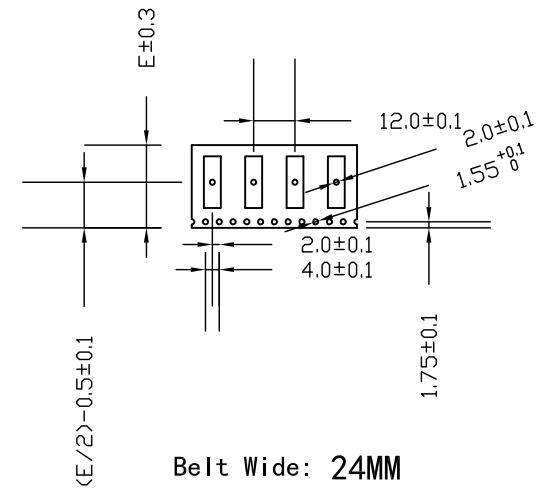




**RoHS Compliant**  
2002/95/EC



Belt Wide: 32, 44, 56MM



Belt Wide: 24MM

Pins	Dimensions				
	E	F	W1	W2	W3
4~9	24.0		24.5	30.5	24.5
10~13	32.0	28.4	32.5	38.5	32.5
14~27	44.0	40.4	44.5	50.5	44.5
28~36	56.0	52.4	56.5	62.5	56.5

Belt Base:		PS ; Black		Drawing Number:			 <b>ElectronAix</b> ElectronAix GmbH & Co. KG
Belt Cover:		TPE ; Transparent		Z11-XX			
Quantity :		1,500 Pcs/Reel		Ref. Number: ZIF 1,0mm Upper Contact			
Date	Modification	Contents	Revise Doc. Num.	Checked	Approval	Tolerance	Unit : MM
						Dimensions	 Scale: 1:1 Page: 2/2
						X. =0.3	
						X.X =0.25	
						X.XX=0.1	0.3°
							R00-2015-01-20

**Specification Z11-xx Series**  
**ZIF FFC/FPC Connector 1,0mm Pitch Upper Contact H3,0mm Slider**

---

**1 Scope**

This Specification covers the construction and characteristics of 0,5mm Pitch FFC and FPC (Flat Flexible Cable and Flat PCB Cable ) of Z11-xx-ZIF Connector Series. The part shall satisfy the following performance

**2 Material and Plating**

Item	Material	Plating	Remark
Terminal	Phosphor Bronze C5191R-H	Ni $\geq$ 0,5 $\mu$ m SN $\geq$ 1,0 $\mu$ m	ROHS REACH
Solder Pad	Phosphor Bronze C5191R-H	Ni $\geq$ 0,5 $\mu$ m SN $\geq$ 1,0 $\mu$ m	ROHS REACH
Base/Housing	PA6T	Color: Nature	ROHS REACH UL94V-0
Lock	PPS	Color: Brown	ROHS REACH UL94V-0

**3 Environmental**

The products meet EU RoHS Directive 2011/65/eu  
The products meet EU REACH Directive 1907/2006/EU

**4 Technical Parameter**

Item	Specification
Voltage Rating	50V AC/DC
Current rating	1,0A AC/DC
Temperature Range	-40°C ... +85°C
Voltage Withstand	500V / Min.
Contact Resistance	$\leq$ 0,03 $\Omega$
Insulation Resistance	$\geq$ 500M $\Omega$

**Specification Z11-xx Series**  
**ZIF FFC/FPC Connector 1,0mm Pitch Upper Contact H3,0mm Slider**

**5 Performance**

**5.1 Electrical Performance**

Item	Requirement	Testing Method
Contact Resistance	$\leq 0,03 \Omega$ Initial	Connecting the mated connector to a closed circuit of current 10mA and max. 20mV
Insulation Resistance	$\geq 500M \Omega$	Checking the resistance between terminals & terminals with grounding. MIL-STD-202, Method 302, Condition B (500V DC $\pm$ 10%)
Dielectric Strength	Connector must withstand the test of 200V AC for 1minute and current leakage must be 0.5mA maximum.	Checking the dielectric strength between terminals & terminals with grounding. MIL-STD-202, Method 301.

**5.2 Mechanical Performance**

Item	Requirement	Testing Method
FFC/FPC Retention Force	$\geq 0,4N/Pcs$ initial $\geq 0,3N/Pcs$ 10 Times	Withdraw FPC from the locked connector with a speed of $25\pm 3$ mm/minute
Contact Retention Force	$\geq 0,3N/Pcs$	pull out the terminal from connector base with a speed of $25\pm 3$ mm/minute.
Solderability	Appearance of the specimen shall be inspected after the test with the assistance of a 10X magnifier. No damage such as pinholes, void or rough surface should be found.	Reflow: 2 Cycles 250°C 5 Sec.  Wave: 1 Cycle 250°C 5 Sec.
Resistance to Soldering Heat	No damage	255 $\pm$ 5°C chamber for 10 $\pm$ 0.5Seconds

**5.3 Environmental Performance**

Item	Requirement	Testing Method
Temperature rise	No damage, Contact Resistance $\leq 0.03\Omega$	Temperature range from -40°C to +85°C 3 Minute per cycles. Total 5 cycles.
High temperature	No damage, Contact Resistance $\leq 0.03\Omega$	Subject product to 85 $\pm$ 2°C for 96 hours continuously. MIL-STD-202, Method 108
Low temperature	No damage, Contact Resistance $\leq 0.03\Omega$	Subject product to -40 $\pm$ 2°C for 96 hours continuously. MIL-STD-202, Method 108
Humidity	No Damage, Contact Resistance $\leq 0.03\Omega$ Insulation Resistance $\geq 500 M\Omega$	Temperature:40 $\pm$ 2°C 96 hours. Relative Humidity:90-95% MIL-STD-202, Method 103
Salt Spray	Surface: No serious oxidation Contact Resistance $\leq 0.03\Omega$	5 $\pm$ 1% salt solution 48 $\pm$ 4 hours 35 $\pm$ 2°C MIL-STD-202, Meth.101 Cond. B
Flammability	Material conform to UL94V-0	Vertical burning method

**Specification Z11-xx Series**  
**ZIF FFC/FPC Connector 1,0mm Pitch Upper Contact H3,0mm Slider**

**6 Marking, Packing, Transportation, Store**

6.1 Logo

Connector had stamped production line logo: LW

6.2 Packing

Inner packing with Plastic Tube or Tape & Reel.

Outer with a carton box.

No shaking.

6.3 Transportation

Allow using any transportation, but cannot expose under rain, snow, and machinery injury.

6.4 Store

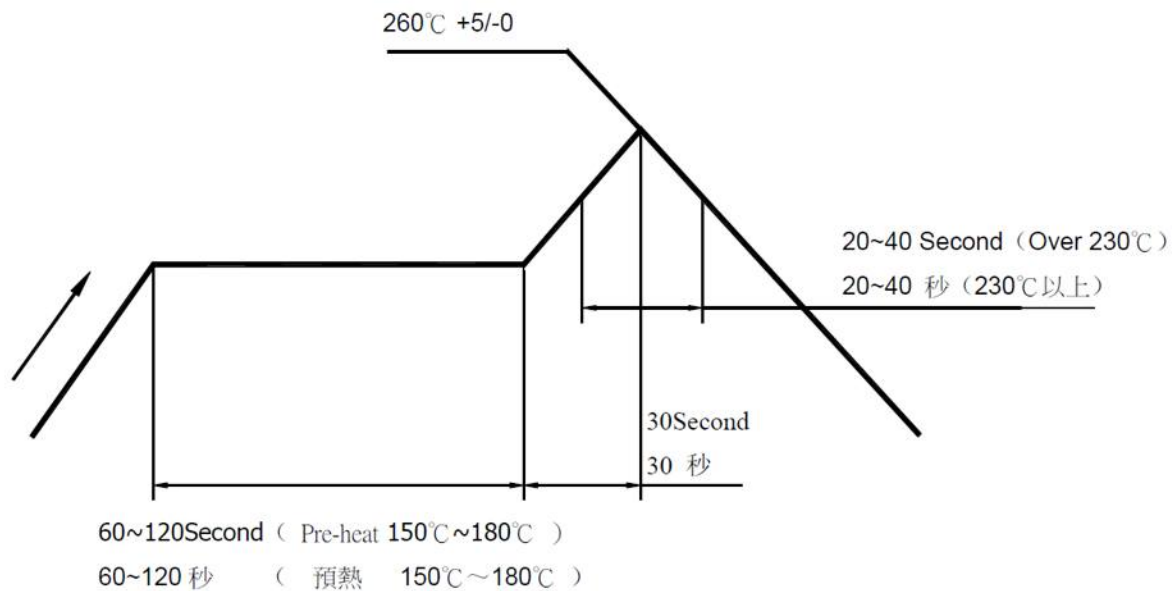
Finished goods should be kept in a well store environment.

Temperature:  $-10^{\circ}\text{C} \sim +40^{\circ}\text{C}$  ; Humidity maximum 80%

No acidity, alkalinity, corrosiveness gas are allow within the store.

Storage period is 12 month, if over 12 month has to reexamine.

**7 Infrared Reflow Condition**



**Specification Z11-xx Series**  
**ZIF FFC/FPC Connector 1,0mm Pitch Upper Contact H3,0mm Slider**

---

**8 How to Order**

Zxy-nn-CPTO

O = Option

T = Packing      1 = Reel  
                       2 = Tube

P = Plating        11 = Tin 1um  
                       24 = Au 10u“

C = Contact Type   1 = single contact  
                           2 = double contact

nn = No. of Positions   04 ... 80

y = mating style      1 = upper contact  
                               2 = lower contact  
                               3 = vertical Type A /  
                               4 = vertical Type B\  
                               5 = Piano- / Fliplock H1,56mm Double Contact  
                               6 = Piano- / Fliplock H1,96mm High Retention  
                               7 = Piano- / Fliplock H1,20mm Low Profile

Zx = Series            Z1 = ZIF FFC / FPC 1,0mm Pitch  
                               Z5 = ZIF FFC / FPC 0,5mm Pitch  
                               Z3 = ZIF FFC / FPC 0,3mm Pitch  
                               Lx = LIF FFC / FPC 0,3mm Pitch