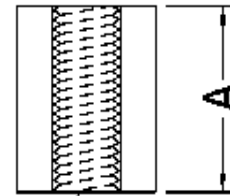
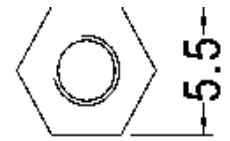


- ◆ MATERIAL: NYLON 66(UL)
- ◆ FLAME CLASS: 94V-2/94V-0
- ◆ COLOR: NATURAL
- ◆ UNIT: mm

FIX
Fasten

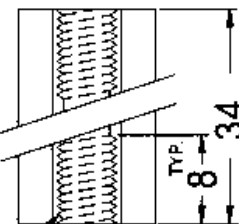
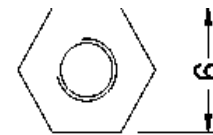
| PART NO | A | PACKAGE |
|---------|------|---------|
| HP-4 | 4 | 1000 |
| HP-5 | 5 | 1000 |
| HP-6 | 6 | 1000 |
| HP-7 | 7 | 1000 |
| HP-8 | 8 | 1000 |
| HP-9 | 9 | 1000 |
| HP-9.5 | 9.5 | 1000 |
| HP-10 | 10 | 1000 |
| HP-10.5 | 10.5 | 1000 |
| HP-11 | 11 | 1000 |
| HP-12 | 12 | 1000 |



M3X0.5 TAPPED

◆ 單邊攻牙

| PART NO | PACKAGE |
|---------|---------|
| HP-34 | 1000 |

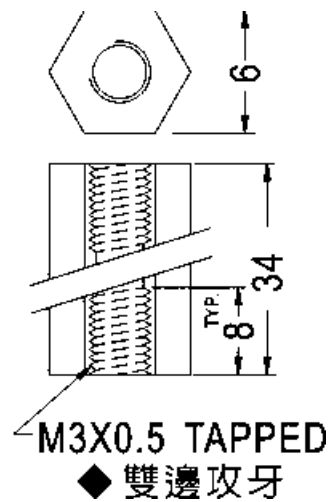


M3X0.5 TAPPED

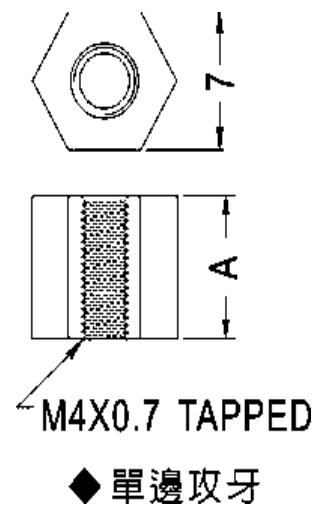
◆ 雙邊攻牙



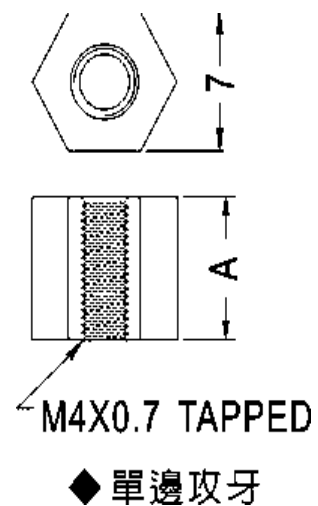
| PART NO | A | PACKAGE |
|---------|------|---------|
| HP-12 | 12.7 | 1000 |
| HP-13.5 | 13.5 | 1000 |
| HP-14 | 14 | 1000 |
| HP-15 | 15 | 1000 |
| HP-16 | 16 | 1000 |
| HP-16.5 | 16.5 | 1000 |
| HP-17 | 17 | 1000 |
| HP-18 | 18 | 1000 |
| HP-19 | 19 | 1000 |
| HP-20 | 20 | 1000 |
| HP-22 | 22 | 1000 |
| HP-24 | 24 | 1000 |
| HP-25 | 25 | 1000 |
| HP-27 | 27 | 1000 |
| HP-28.6 | 28.6 | 1000 |
| HP-30 | 30 | 1000 |
| HP-32 | 32 | 500 |
| HP-38 | 38 | 500 |
| HP-40 | 40 | 500 |
| HP-42 | 42 | 500 |
| HP-45 | 45 | 500 |
| HP-47 | 47 | 500 |
| HP-49 | 49 | 500 |
| HP-52 | 52 | 500 |
| HP-54 | 54 | 500 |



| PART NO | A | PACKAGE |
|----------|------|---------|
| HP4-6 | 6 | 1000 |
| HP4-7 | 7 | 1000 |
| HP4-8 | 8 | 1000 |
| HP4-9 | 9 | 1000 |
| HP4-10 | 10 | 1000 |
| HP4-11 | 11 | 1000 |
| HP4-12 | 12 | 1000 |
| HP4-12.7 | 12.7 | 1000 |



| PART NO | A | PACKAGE |
|---------|------|---------|
| HP4-14 | 14 | 1000 |
| HP4-16 | 16 | 1000 |
| HP4-20 | 20 | 1000 |
| HP4-25 | 25 | 1000 |
| HP4-26 | 26 | 1000 |
| HP4-30 | 30 | 1000 |
| HP4-35 | 35 | 1000 |
| HP4-40 | 40 | 1000 |
| HP4-45 | 45.5 | 1000 |



FIX
Fasten