



FEATURES:

- RoHS compliant
- Switching power modules for PCB mounting
- Fully encapsulated plastic case
- Universal input: 90-264VAC, 47-440Hz
- Medical applications
- High efficiency
- Low ripple & noise
- CE, cULus, CB approvals

Models
Single output

Model	Input Voltage (VAC/Hz)	Input voltage (VDC)	Max Output wattage (W)	Output Voltage (V)	Output Current max (A)	Ripple & Noise (% of Vout)	Minimum Load (%)	Efficiency (%)
AME15-3.3SMZ	90-264/47-440	120-370	9.9	3.3	3	1	0	74
AME15-5SMZ	90-264/47-440	120-370	15	5	3	1	0	78
AME15-7.35SMZ	90-264/47-440	120-370	15	7.35	2.04	1	0	79
AME15-9SMZ	90-264/47-440	120-370	15	9	1.66	1	0	79
AME15-12SMZ	90-264/47-440	120-370	15	12	1.25	1	0	81
AME15-15SMZ	90-264/47-440	120-370	15	15	1	1	0	81
AME15-24SMZ	90-264/47-440	120-370	15	24	0.62	1	0	83

Models
Dual output

Model	Input Voltage (VAC/Hz)	Input voltage (VDC)	Max Output wattage (W)	Output Voltage (V)	Output Current max (A)	Ripple & Noise (% of Vout)	Minimum Load (%)	Efficiency (%)
AME15-5DMZ	90-264/47-440	120-370	15	±5	±1.5	1	10	78
AME15-12DMZ	90-264/47-440	120-370	15	±12	±0.62	1	10	80
AME15-15DMZ	90-264/47-440	120-370	15	±15	±0.5	1	10	81

Models
Triple output

Model	Input Voltage (VAC/Hz)	Input voltage (VDC)	Max Output wattage (W)	Output Voltage (V)	Output Current max (A)	Ripple & Noise (% of Vout)	Minimum Load (%)	Efficiency (%)
AME15-512TMZ	90-264/47-440	120-370	15	5/±12	2/±0.2	1	25	78
AME15-515TMZ	90-264/47-440	120-370	15	5/±15	2/±0.15	1	25	78

Input Specifications

Parameters	Conditions	Typical	Maximum	Units
Current	115VAC		220	mA
	230VAC		118	mA
Inrush current <2ms	115 VAC		10	A
	230 VAC		20	A
Leakage current	115 VAC		0.1	mA
	264 VAC		0.161	mA
External Fuse (recommend)	slow blow type	2		A

Output Specifications

Parameters	Conditions	Typical	Maximum	Units
Voltage accuracy (single and dual)		±1		%
Voltage accuracy (triple)		±2/±3		%
Line regulation (single and dual)	LL-HL		±0.5	%
Line regulation (triple)	LL-HL		±0.5/±2	%
Load regulation (single and dual)	10-100%		±1	%
Load regulation (triple)	10-100%		±1/±5	%
Maximum capacitive load	Depending of the model		330-23 000	µF
Hold-up time	min	20		ms

Isolation Specifications

Parameters	Conditions	Typical	Maximum	Units
Input - Output		4000		VAC

General Specifications

Parameters	Conditions	Typical	Maximum	Units
Switching frequency		132		KHz
Over current protection		Above 105% rated Pout		
Over voltage protection		Zener diode clamp		
OTP		100		°C
Short circuit protection		Hiccup mode, indefinite (auto recovery)		
Operating temperature	with derating over 50 °C	-25 to +71		°C
Case temperature			95	°C
Storage temperature		-40 to +100		°C
Temperature coefficient		0.01		% / °C
Cooling		Free air convection		
Humidity	Non condensing		95	% RH
Weight		100		g
Dimensions		2.52 x 1.79 x 0.92 inches 64.0 x 45.60 x 23.50 mm , ±0.5mm		
MTBF		200 000 ~ 400 000hrs (MIL-HDBK -217F, t _v =+25°C)		
Case material		Plastic resin + Fiberglass (flammability to UL 94V-0)		

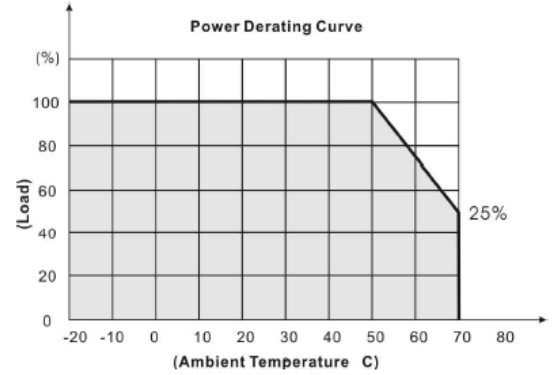
Safety & EMC Specifications

Standards		
Safety & EMC	Class II	To IEC/EN 60536
	EMI/PFI conducted	EN 55011 class B
	EMC Standards	EN60601-1-2
	ESD Susceptibility	EN60601-1-2
	Radiated Susceptibility	EN60601-1-2
	EFT / Burst	EN60601-1-2
	Surge	EN60601-1-2
	Conducted Susceptibility	EN60601-1-2
	Safety Approvals	EN60601-1
Agency approvals	Approval	CE / cULus / CB

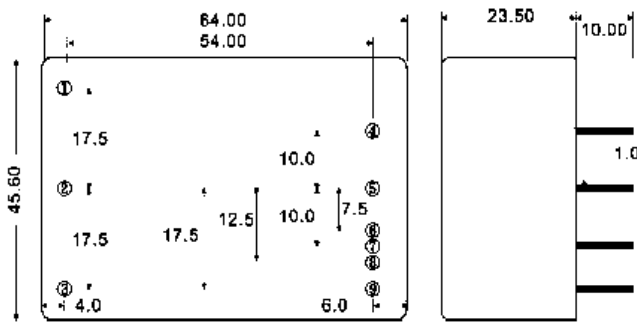
Pin Out Specifications

Pin	Single	Dual	Triple
1	No pin	No pin	No pin
2	AC Input (L)	AC Input (L)	AC Input (L)
3	AC Input (N)	AC Input (N)	AC Input (N)
4	- V Output	- V Output	+5V return
5	No pin	Common	+5V
6	No pin	No pin	-V Output
7	+ V Output	+ V Output	No pin
8	No pin	No pin	Common
9	No pin	No pin	+V Output

Derating

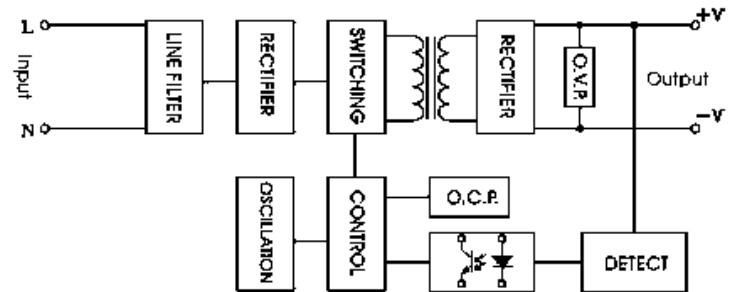


Dimensions (Top View)

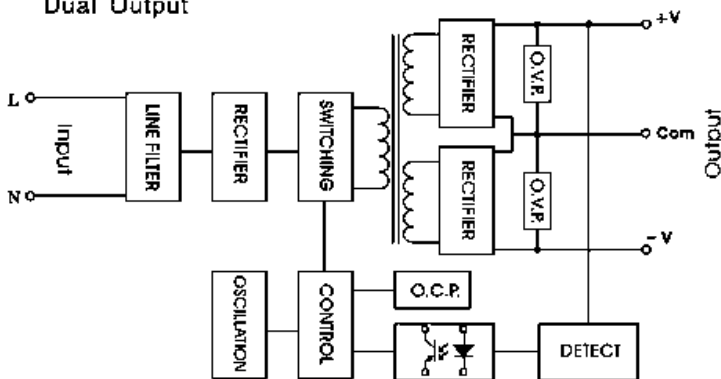


Block Diagrams

Single Output



Dual Output



Triple Output

