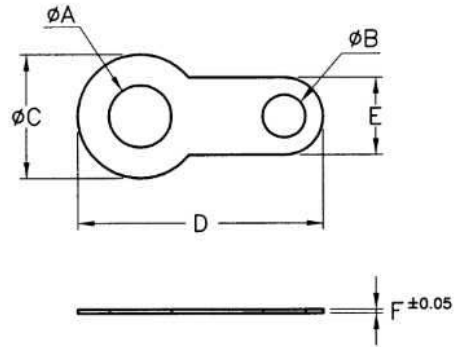


REVISIONS			
REV	DESCRIPTION	DATE	BY



PART NO.	A	B	C	D	E	F
GND-2	3.2	2.1	6.4	12.6	4.0	0.25
GND-3	4.3	2.0	8.0	17.7	4.6	0.3
GND-4	5.2	2.1	9.9	19.6	5.1	0.3
GND-5	8.3	1.9	10.0	15.0	4.0	0.3
GND-6	9.7	2.0	13.0	21.5	4.0	0.4
GND-10	6.3	2.1	10.0	19.9	5.1	0.3
GND-11	9.0	2.0	13.0	30.0	4.0	0.3

PART NUMBER SEE ABOVE		DRAWING NUMBER GND-2H		TITLE	
				MATERIAL BRASS	
SIZE A4		SCALE NONE		FINISH NICKEL PLATED	
				COLOR	
UNIT mm		REV A		CHECK	
				UNLESS OTHERWISE SPECIFIED TOLERANCE ±0.2	