

Support Post (Metric)

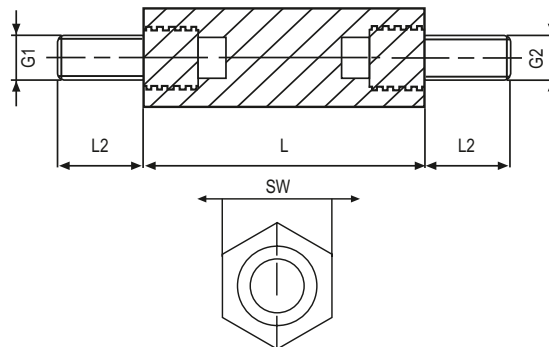
Spacer Bolts DAA

[Polyamide, brass thread]



Spacer bolts

Type	hexagonal
Styles	external / external without undercut DIN 76
Material	Body: Polyamide 6.6 / DMS 823 Thread: Brass, nickel plated / DMS 100
Colour	white
Standard Pack	from 100 pcs



Contact resistance: 10^{12} Ohm/cm

Dielectric strength: 50 kV/mm

Tolerance for length dimensions: +/- 0,1 mm

Order No.	SW (hexagonal)	Thread	Lengths (L) in mm increments
4182 x (length)	SW 6	M2,5	15-65
4183 x	SW 6	M3	15-65
4186 x	SW 8	M4	15-65
4188 x	SW 10	M5	15-70

Note: The pull-out strength and torques may vary depending on application and ambient influences (e.g. temperature, air humidity, etc.). for critical applications please carry out trials. DREMEC GmbH does not assume any liability for the specified strength values.

SW: width across flats

Strength / resistance values

Thread lengths [mm]

G1=G2	L2 (mm)
M2,5	6
M3	6
M4	8
M5	10

Torques [Nm]

SW 6	M2,5	1,3
SW 6	M3	1,3
SW 8	M4	3,0
SW 10	M5	4,5

Pull-out torques [N]

SW 6	M2,5	300
SW 6	M3	300
SW 8	M4	600
SW 10	M5	800