

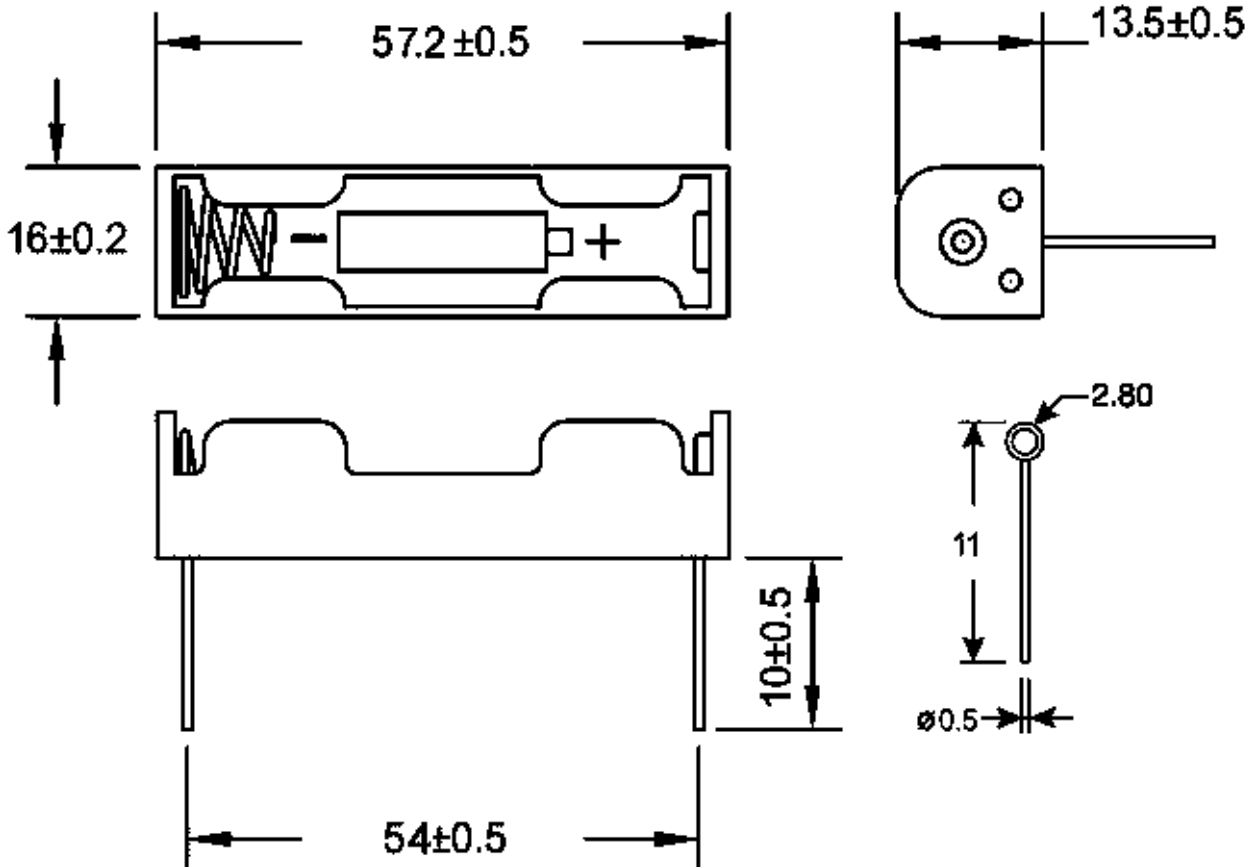


Battery Holders

KLS5-801 KLS5-801 AA or 14505" Battery Holder with PC Pins

SPECIFICATIONS

Material: P.P. Resin,Black Color
Terminal: $\phi 0.8 \times 24\text{mm}$ PC Pins,Nickel Plated Brass
Spring: 0.65mm 65C Spring Steels,Nickel Plated
RoHS Compliant



ORDER INFORMATION

Product NO.: L-KLS5-801-D

Pos. NO. ————
Cell Box Series ————
TYPE:
A-With Solder Lug
B-With UL1007 26AWG Wire 15CM Or Other
C-With 6 Prong snap
D-With PCB Pin