

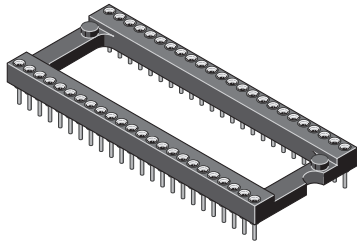
DIL SOCKETS „THROUGH HOLE“

ID: 012

MP-SHRINK open frame

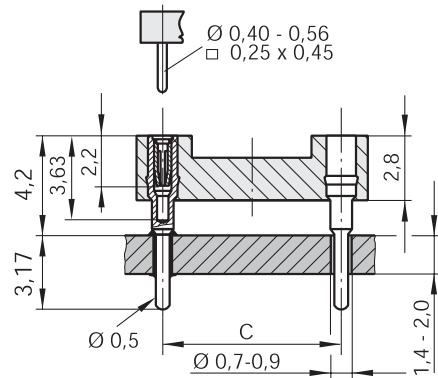
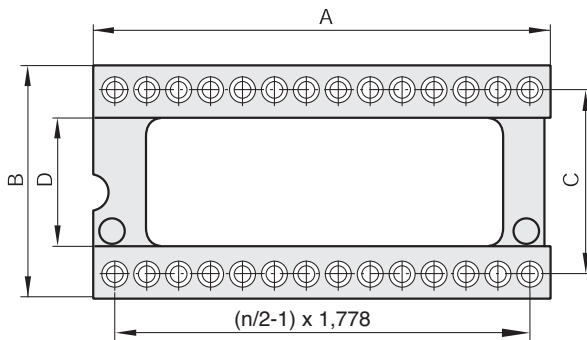
1 | 1,778 mm

Series 121



TECHNICAL DATA

|                               |   |
|-------------------------------|---|
| Pitch                         | 1,778 mm                                  |
| Insulating Material           | high temp. thermoplast UL94V-0            |
| Contact Material              | Brass/BeCu                                |
| Rated Current                 | 1 Amp.                                    |
| Rated Voltage                 | 100 V <sub>RMS</sub> /150 V <sub>DC</sub> |
| Breakdown Voltage             | min. 1000 V <sub>RMS</sub>                |
| Operating Temperature         | -55°C bis +125°C                          |
| Maximum Soldering Temperature | 260°C for 10 seconds                      |



| Code | Poles | A     | B     | C     | D     |
|------|-------|-------|-------|-------|-------|
| 16.3 | 16    | 14,60 | 10,16 | 7,62  | 4,40  |
| 28.4 | 28    | 25,20 | 12,70 | 10,16 | 6,50  |
| 30.4 | 30    | 27,00 | 12,70 | 10,16 | 6,50  |
| 32.4 | 32    | 28,80 | 12,70 | 10,16 | 6,50  |
| 48.4 | 48    | 43,00 | 17,18 | 10,16 | 6,50  |
| 20.6 | 20    | 18,10 | 17,18 | 15,24 | 10,10 |
| 24.6 | 24    | 21,55 | 17,18 | 15,24 | 10,10 |
| 28.6 | 28    | 25,20 | 17,18 | 15,24 | 10,10 |
| 40.6 | 40    | 35,90 | 17,18 | 15,24 | 10,10 |
| 42.6 | 42    | 7,70  | 17,18 | 15,24 | 10,10 |
| 48.6 | 48    | 43,10 | 17,18 | 15,24 | 10,10 |
| 52.6 | 52    | 46,60 | 17,18 | 15,24 | 10,10 |
| 56.6 | 56    | 50,00 | 17,18 | 15,24 | 10,10 |
| 68.6 | 68    | 60,80 | 17,18 | 15,24 | 10,10 |
| 64.7 | 64    | 57,40 | 21,59 | 19,05 | 14,20 |

All dimensions in mm.  
Other dimensions upon request.

MP XX.Y XX RM 1,778 U

Code: see table

XX: STG = sleeve: Sn/clip: Au  
STG 8 = sleeve: Sn/clip: 0,75µm Au

U: RoHS-compliant with high temp. plastic