

CLIFF

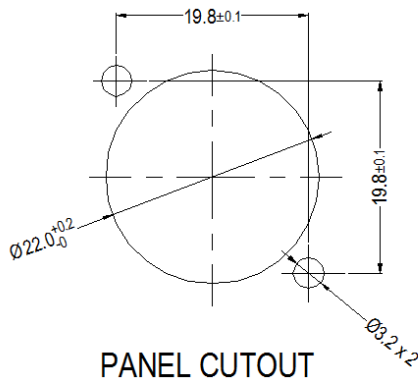
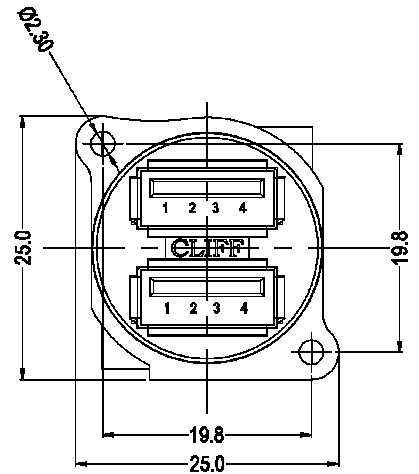
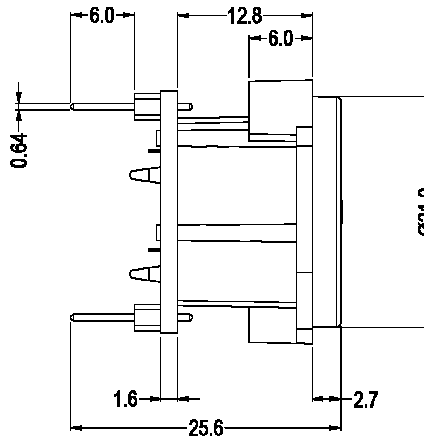
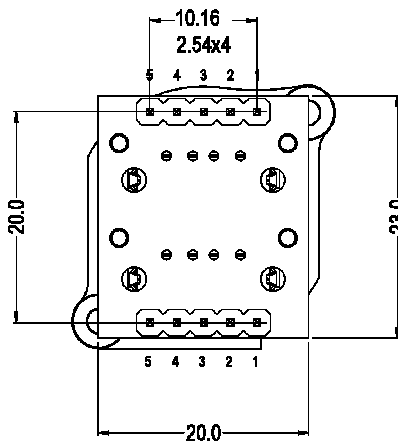
XLR WITH DUAL USB2



PART No. CP30090

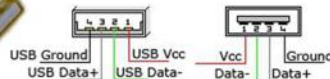
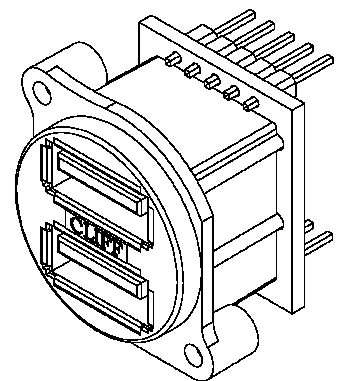
Dual USB2 compliant sockets are mounted in a single space-saving universal XLR receptacle, chosen to allow industry standard panel cutouts and maximum panel mounting density. The two USB2 sockets provide isolated and independent output connection to two rows of 5 x 2.54mm (0.1") pitch output pins. These are configured to facilitate either direct soldering to PCBs or connection by header cable. We are happy to provide customers with standard or custom designed header cables to meet individual system requirements.

This is the first in Cliff's programmed series of USB and other data connectors, primarily in XLR and other industry standard shells. Enquire to Sales for customised USB connector variants to suit end users applications.



PIN No.	CONNECTION
1	Vcc
2	Data -
3	Data +
4	Ground
5	Housing

USB pinout



USB is a serial bus. It uses 4 shielded wires: two for power (+5v & GND) and two for differential data signals (labelled as D+ and D- in pinout)

For further information, contact: sales@cliffuk.co.uk