

RLEIL ROCKER SWITCH

Specification:

10 (4) A 250VAC T85

16 (4) A 250VAC T125/55 1E4

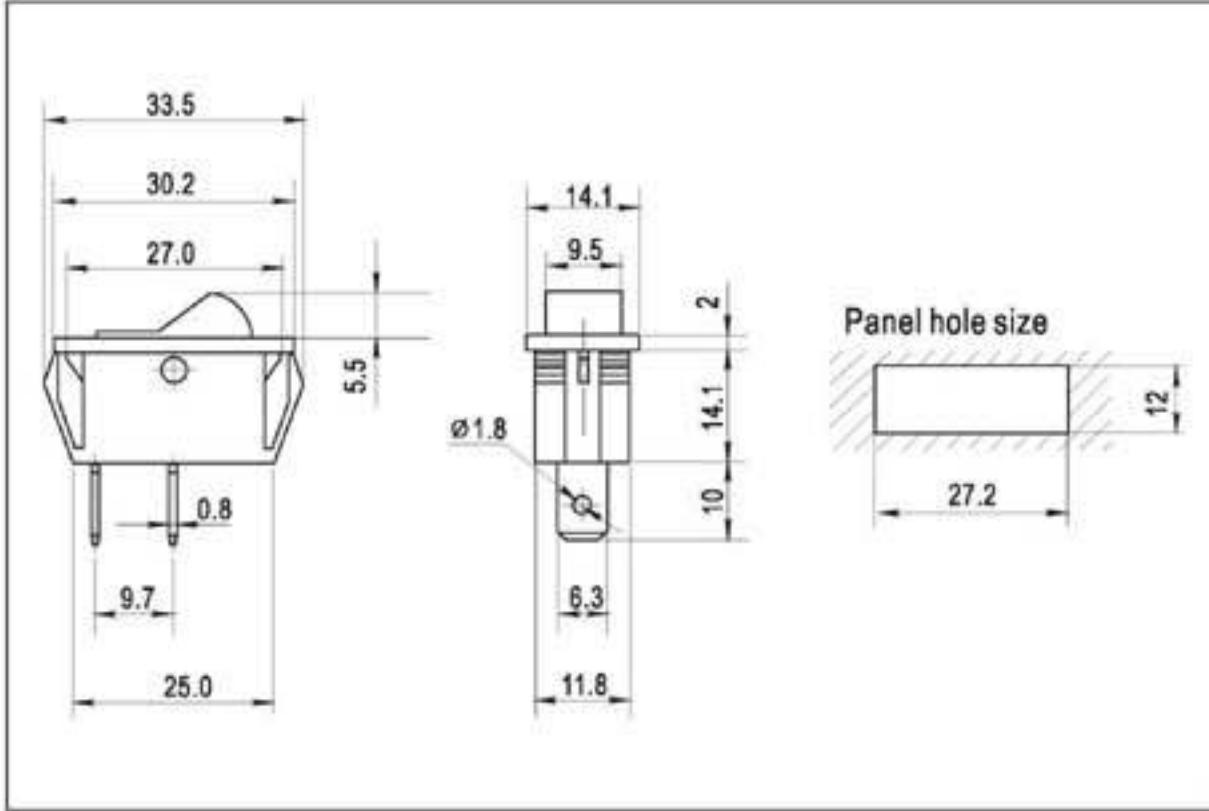
15A 125V/7.5A 250VAC



RL1-5(Y)11-B-0-BK/BK-P2
ON-OFF 2P



RL1-5(Y)13-B-0-RE/BK-P2
ON-OFF-ON 3P



EXPLANATION MODEL NUMBER

RL1-5(Y) - 11 - B - 10 - BK/BK - P1

Function

11	ON-OFF 2P
12	ON-ON 3P
13	ON-OFF-ON 3P

Cap Type

B	Angle
C	Soft Line

Cap Printing

0	None
1	
2	
10	
14	

Color Cap/Housing

BK	Black
WT	White
RE	Red
GE	Grey

Terminal

(P1)	
(P2)	
(P14)	
(P4)	