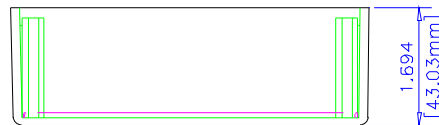
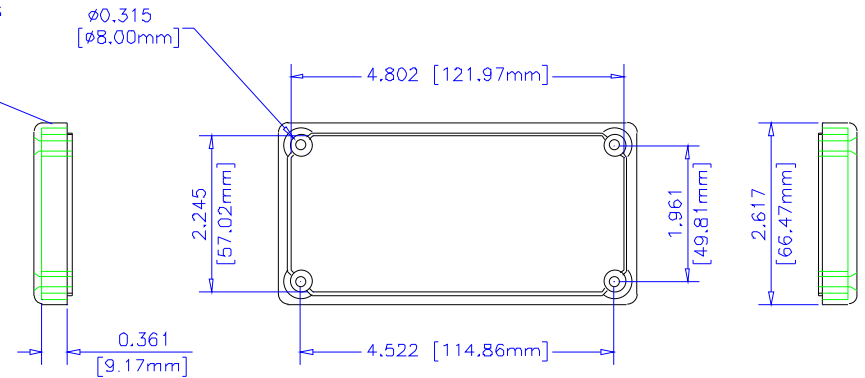
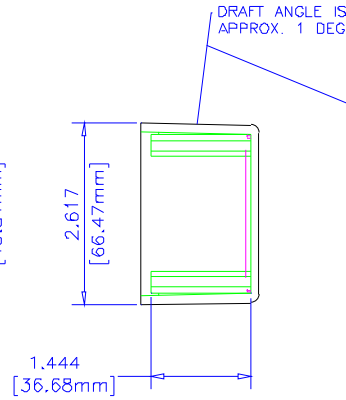
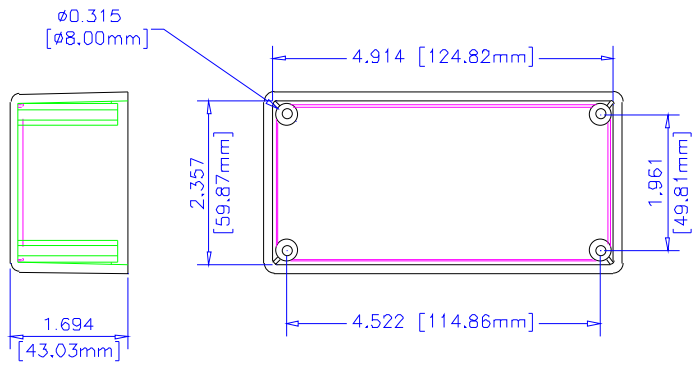
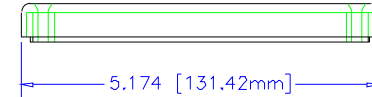
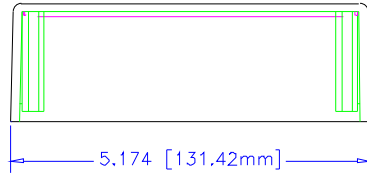


# NOTES

**MATERIAL** (ABS) FLAME RETARDANT UL94 VO MATERIAL WITH BRASS INSERTS IN CORNER POSTS.  
(STYRENE) IS NON-FLAME RETARDANT WITHOUT BRASS INSERTS.

**PARTS** (ABS) VERSION MACHINE SCREWS M3-0.5 x 18mm. REPLACEMENT PN 1594MS100 (100 / BAG). ABS VERSION MACHINE SCREWS FOR THE WATER RESISTANT BOX REPLACEMENT PN 1594WMS100 (STYRENE) VERSION SELF TAPPING #4 x 1.0". REPLACEMENT PN 1594TS100 (100 / BAG).

**COLORS** (ABS) BLACK, GRAY (STYRENE) GRAY ONLY.



BOTTOM



TOP

UNLESS OTHERWISE SPECIFIED  
DIMENSIONS ARE IN INCHES

X	+/- .1
XX	+/- .08
XXX	+/- .015
CUTS	+/- .005
ANGLES	+/- .5 DEG.

NOTICE  
HAMMOND CLAIMS PROPRIETARY RIGHTS TO THE MATERIAL ON THIS DRAWING. IT IS INTENDED TO BE USED AS A REFERENCE FOR ENGINEERING INFORMATION ONLY. THIS INFORMATION MAY NOT BE USED TO MANUFACTURE PRODUCTS WITHOUT WRITTEN PERMISSION FROM HAMMOND MANUFACTURING.



**HAMMOND  
MANUFACTURING**

WEB: [WWW.HAMMONDMFG.COM](http://WWW.HAMMONDMFG.COM)

TITLE HAMMOND 1594 SERIES  
PLASTIC ENCLOSURE

DRAWN BY	MJM	DATE	01/07/01
SCALE		PAGE	1 OF 1
PART NUMBER	1594D		