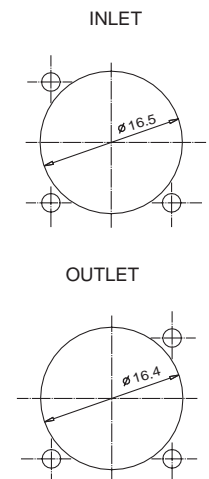
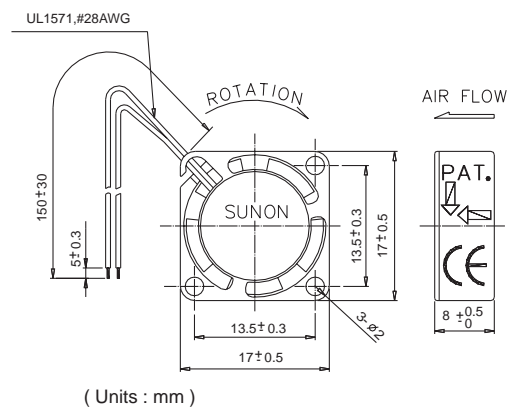
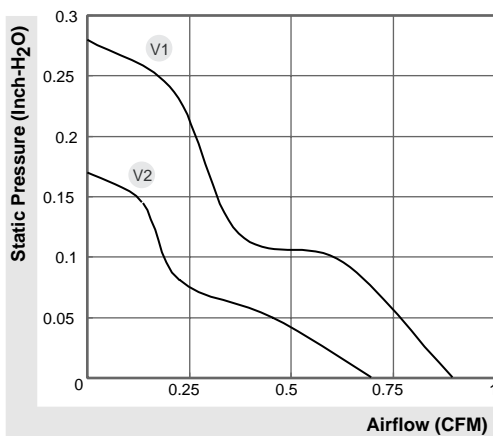


## MagLev Green Motor Fan

### 0.7~0.9 CFM



Model	P/N	Bearing ● VAPO ⊙ 2BALL	Rating Voltage (VDC)	Power Current (AMP)	Power Consumption (WATTS)	Speed (RPM)	Air Flow (CFM)	Static Pressure (Inch-H <sub>2</sub> O)	Noise (dBA)	Weight (g)
GM0517PDV1-8	GN	●	5	0.16	0.8	20000	0.9	0.28	25	4.36
GM0517PDV2-8	GN	●	5	0.11	0.6	15000	0.7	0.17	16	4.36



\*All model could be customized on voltage or any other requirements to fit your need.

\*Specifications subject to change without notice. Please Visit SUNON web site at <http://www.sunon.com> for update information.