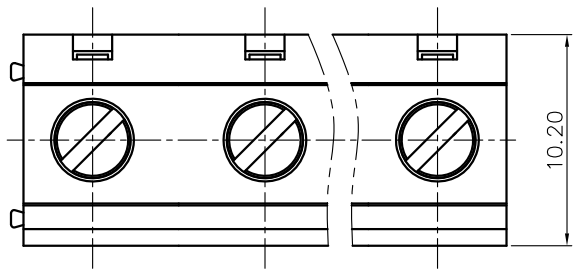
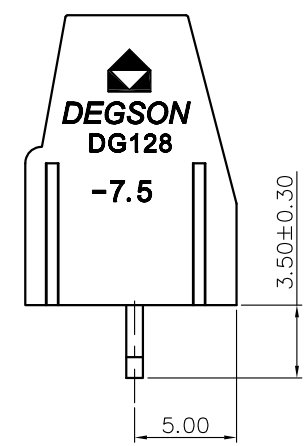
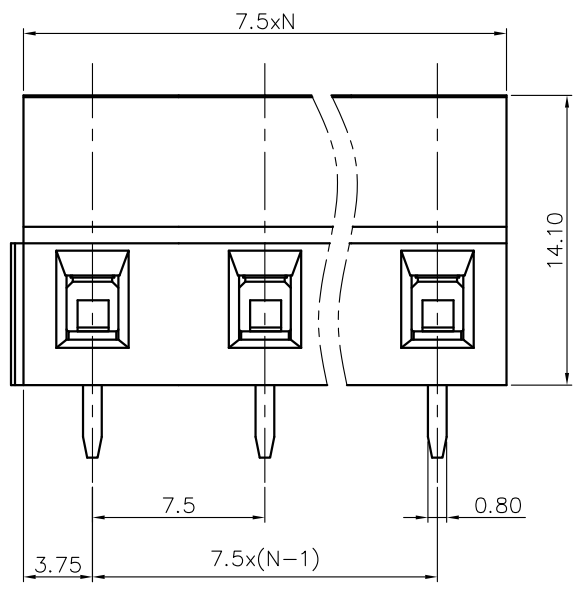
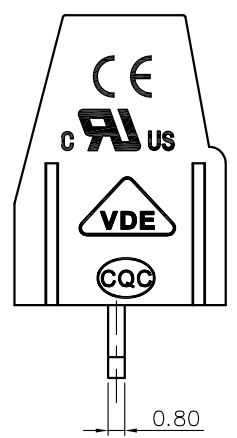


REVISION RECORD				
REV	ECN	DESCRIPTION	DRFT	DATE



NOTES1:
 UL Standard
 1.Rated voltage/current : 300V / 20A
 2.Torque value : M2.5 , 3.54Lb.in
 3.Wire range : 30~12AWG

IEC Standard
 1.Rated voltage/current : 450V / 18A
 2.Torque value : M2.5 , 0.4N·m
 3.Wire range : 2.5mm²

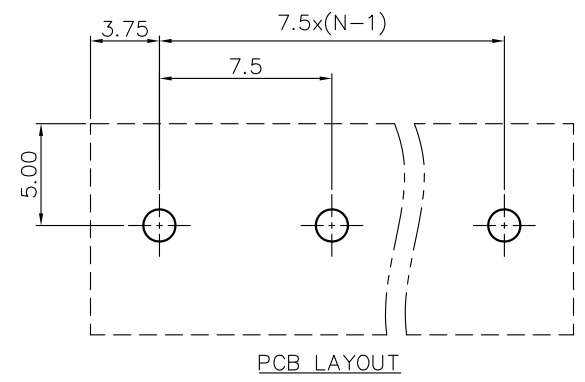


NOTES2:
 1.Dimension shall be interpreted per ASME Y14.5-2009
 2.Pitch : 7.50mm, Poles : N=02~XXP
 3.Stripping length : 6~7mm
 4.Withstanding voltage : AC2500V/1Min
 5.Operating temperature : -40°C~+105°C
 6.Undimensioned tolerances:

Pitch range in mm		Nominal dimension range in mm						-	∩	∇
TO	Over 6	Over 10	Over 30	Over 60	Over 100	Over 150	0.1/10			
6	TO 10	TO 24	TO 30	TO 60	TO 100	TO 150	<			
	±0.15	±0.20	±0.30	±0.30	±0.50	±0.70	±1.00	±1.30	±2*	

7.RoHS Compliance

DG128 - 7.5 - XXP - 1Y - 00A (H)
 (Series No.) (Pitch) (Poles) (Single Pitch) (RoHS)
 00A-(Standard)
 (Color) :1.(Grey)2.(Blue)3.(Black)4.(Green)5.(Orange)
 6.(Red)7.(Transparent)8.(Yellow)9.(White)



DETACHED LISTS	PART NO.:	宁波高松电子有限公司 NINGBO DEGSON ELECTRICAL CO., LTD			
	APPD:	NAME: DG128-7.5-XXP-1Y-00A(H)			
	CHKD:	TITLE: CUSTOMER DRAWING			
	DRFT:	DRAWING NO.:		REV	DO
THIRD ANGLE PROJECTION		DO NOT SCALE DRAWING		SHEET	1/1
		MM (INCH)		SCALE	1:1