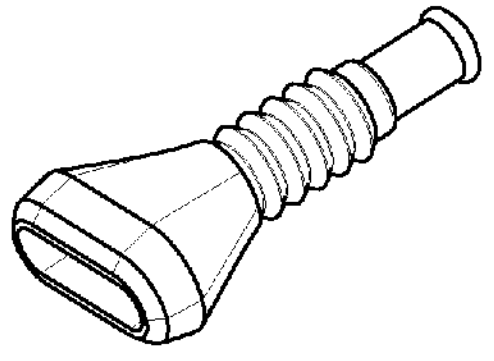
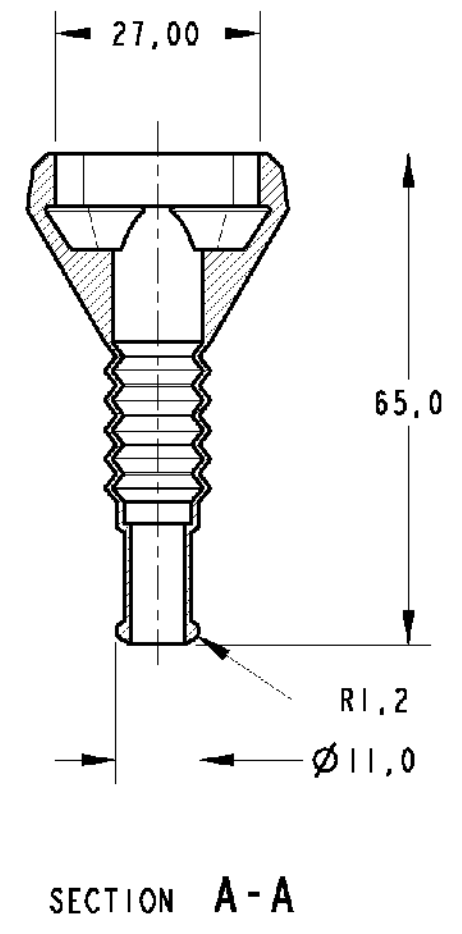
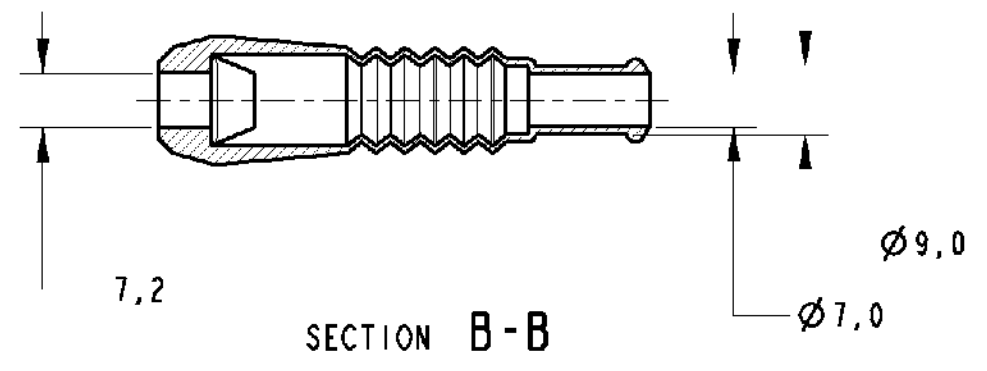
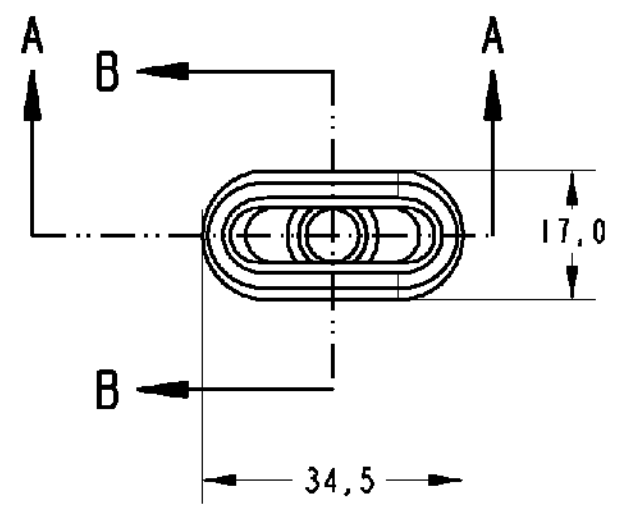


LOC	DET	REV	DATE	DWG	APPD
AP	-	A1	19MAR11	RK	HMR
DESCRIPTION			REVISED PER ECO-11-005139		

CAD
 Pro-E
 DO NOT REVISE
 EXCEPT BY CAD



PERSPECTIVE VIEW

- ① - ELASTÔMERO SAE J 200 M 2BC 514, A14, B14, C12, E014, F17
 - ELASTOMER SAE J 200 M 2BC 521, A14, B14, C12, E014, F17
- ② - TOLERÂNCIA PARA REBARBAS / FLASH TOLERANCE:
 COMPRIMENTO EXTERNO / OUTSIDE HEIGHT - 0,4mm MAX.
 COMPRIMENTO INTERNO / INSIDE HEIGHT - 0,05mm MAX.
- ③ - USADO NO CONECTOR 282106-1, OU SIMILAR
 - USED ON CONNECTOR 282106-1, OR SIMILAR

RAW MAT'L NO.	PRETO/BLACK	MATERIAL	493581-1
DIMENS ONS: mm		TOLERANCES UNLESS OTHERWISE SPECIFIED:	
		0 PLC = 1 PLC ±0,5 2 PLC ± 3 PLC + 4 PLC +- ANGLES ±1°	
MATERIAL SEE TABLE	FINISH SEE TABLE	DWR A. PERUSSI 03SEP98 CHR P. L. FARIA APPD J. M. M. NETO PRODUCT SPEC - APPLICATION SPEC - WEIGHT -	
CUSTOMER DRAWING		SIZE CASE CODE DRAW'G NO A3 00779 © 493581	RESTRICTED TO
SCALE		SHEET	OF
		REV	A1