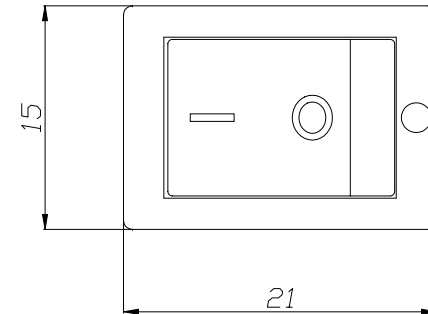
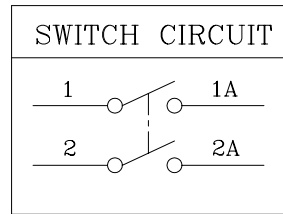


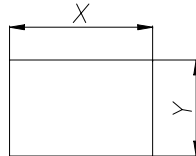
ROCKER SWITCH MODEL NO. SS21(BBIWG-R)
 (QUICK CONNECTOR TYPE)
 RATING: 12A 125/250VAC (CSA)
 10A 125/250VAC (UL)
 12(4)A 250V~T85(VDE;SEMKO;NEMKO;DEMKO;FIMKO)

UL APPROVAL FILE NO.: E153399
 CSA CERTIFICATE NO.: LR76511-11
 VDE CERTIFICATE NO.: 106348
 SEMKO CERTIFICATE NO.: 9743105/01
 NEMKO CERTIFICATE NO.: P97102530
 DEMKO CERTIFICATE NO.: 307126
 FIMKO CERTIFICATE NO.: 198051-01

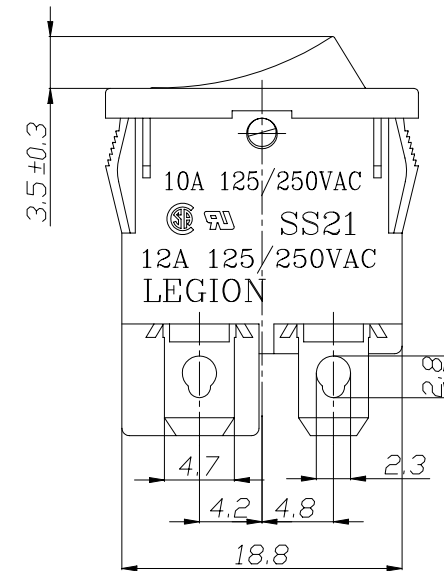
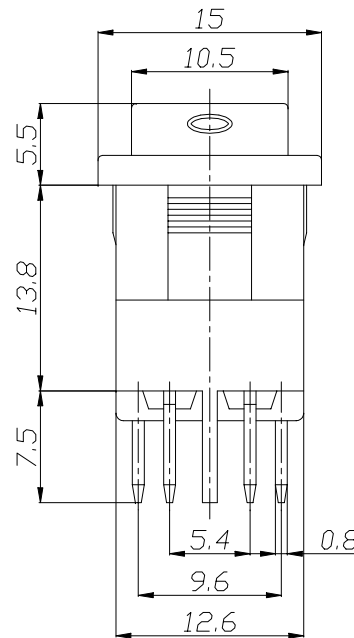
ACTUATOR COLOR:BLACK
 HOUSING COLOR:BLACK
 ACTUATOR PRINTING:"O/-" WHITE COLOR



PANEL CUTOUT DIMENSION



| PANEL THICKNESS | X | Y |
|-----------------|---------------------------------------|---------------------------------------|
| 0.75~1.25mm | 19.2 ⁺⁰ _{-0.1} mm | 12.9 ^{+0.1} ₋₀ mm |
| 1.25~2.0mm | 19.4 ⁺⁰ _{-0.1} mm | 12.9 ^{+0.1} ₋₀ mm |
| 2.0~3.0mm | 19.8 ⁺⁰ _{-0.1} mm | 12.9 ^{+0.1} ₋₀ mm |



* All Materials Used Meet The RoHS Directive

| 修正REVISION | 說明 DESCRIPTION | 核准 APPROVED BY | SPECIFICATION | | | | 公差 TOLERANCES | | TOLERANCES UNLESS OTHERWISE SPEC.±0.5/0.02,ANG.±3° | | | |
|------------|------------------------------|----------------|-------------------|-------------------|-------------------|-------------------|---------------|----------|--|-----------|--------------|---------------|
| △ | | | 製圖 DRAWN BY | 設計 DSGD BY | 校對 CHKD BY | 核准 APPD BY | 單位 UNIT | mm/in | 圖名 DWG NAME | ROCKER SW | 圖號 DWG NO | SS21(BBIWG-R) |
| △ | | | 研發部 | 研發部 | 研發部 | 研發部 | 比例 SCALE | 2/1 | 六軍電子股份有限公司 LEGION ELECTRONIC CO., LTD. | | | |
| △ | | | SEPTEMBER 20,2004 | SEPTEMBER 20,2004 | SEPTEMBER 20,2004 | SEPTEMBER 20,2004 | 日期 DATE | 9 20,04' | | | | |
| △ | NOV. 3,2003 REMOVED "TAIWAN" | Andy Chi | 吉慶玉 | 李政民 | 吉慶玉 | 席劍秋 | | | | | | |