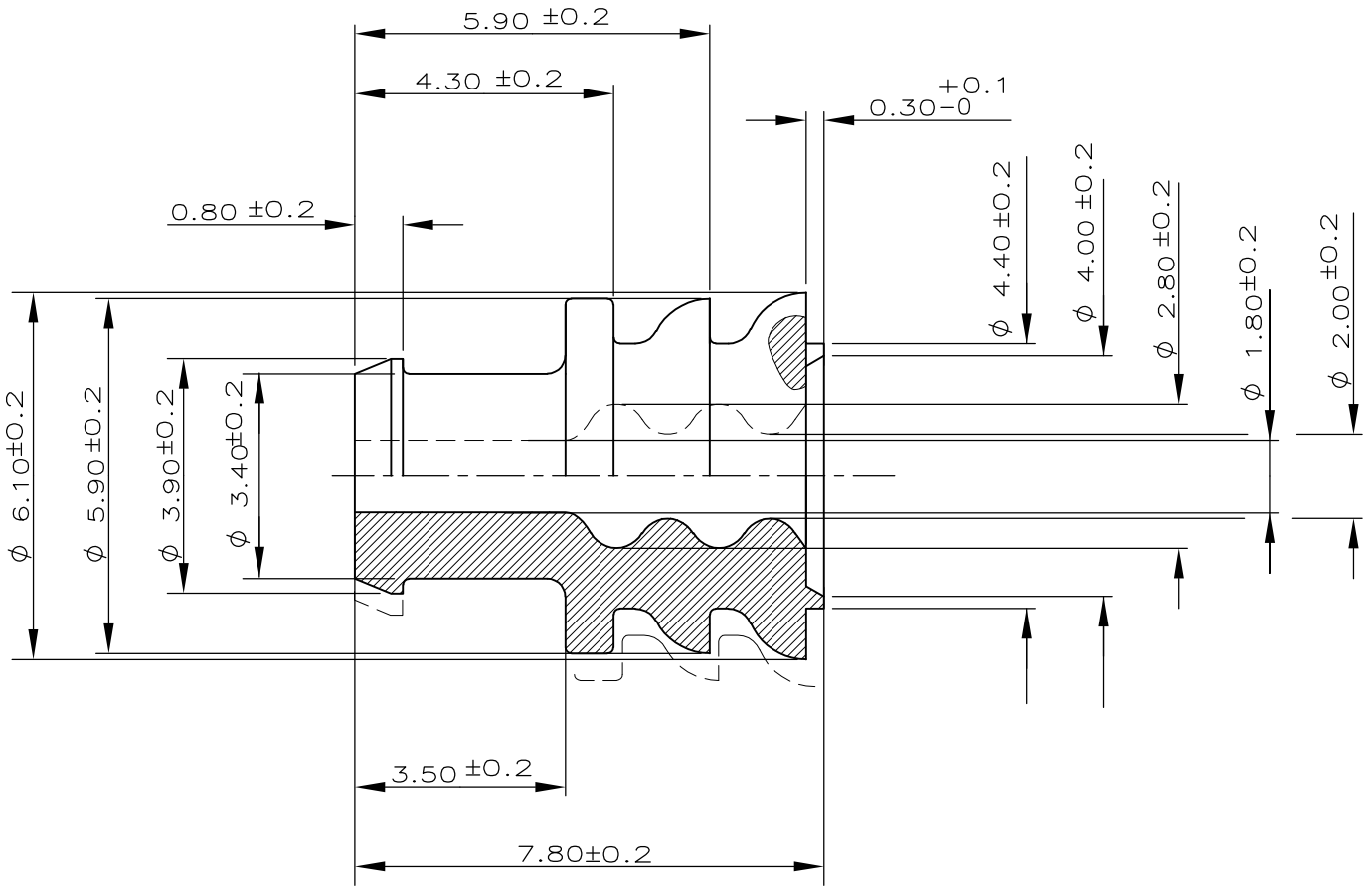


LOC I	DIST —	REVISIONS			
P	LTR	DESCRIPTION	DATE	DWN	APVD
	H1	REVISED PER ECO-11-005033	02APR11	RK	HMR



RELEASED FOR PUBLICATION

ALL RIGHTS RESERVED.

THIS DRAWING IS UNPUBLISHED.

By -
COPYRIGHT -

METRIC

DIAM. ISOLANTE
(INS. DIA. RANGE)
2.5-3.3mm

RANGO FILO
(WIRE RANGE)

ROSSO-RED

GOMMA AL SILICONE
SILICONE RUBBER

281934-3

FINITURA / COLORE
(FINISH / COLOUR)

MATERIALE
(MATERIAL)

NUMERO
(PART NUMBER)

CUSTOMER DWG.
FOR REFERENCE ONLY

DISEGNO PER CLIENTE
SOLO PER RIFERIMENTO

DIMENSIONS:
mm

DWN C.BERTINI 10-89

MATERIAL - FINISH -

CHK A.BRUNI 10-89

APVD -

PRODUCT SPEC -

APPLICATION SPEC -

WEIGHT -

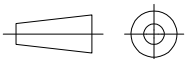


NAME WIRE SEAL

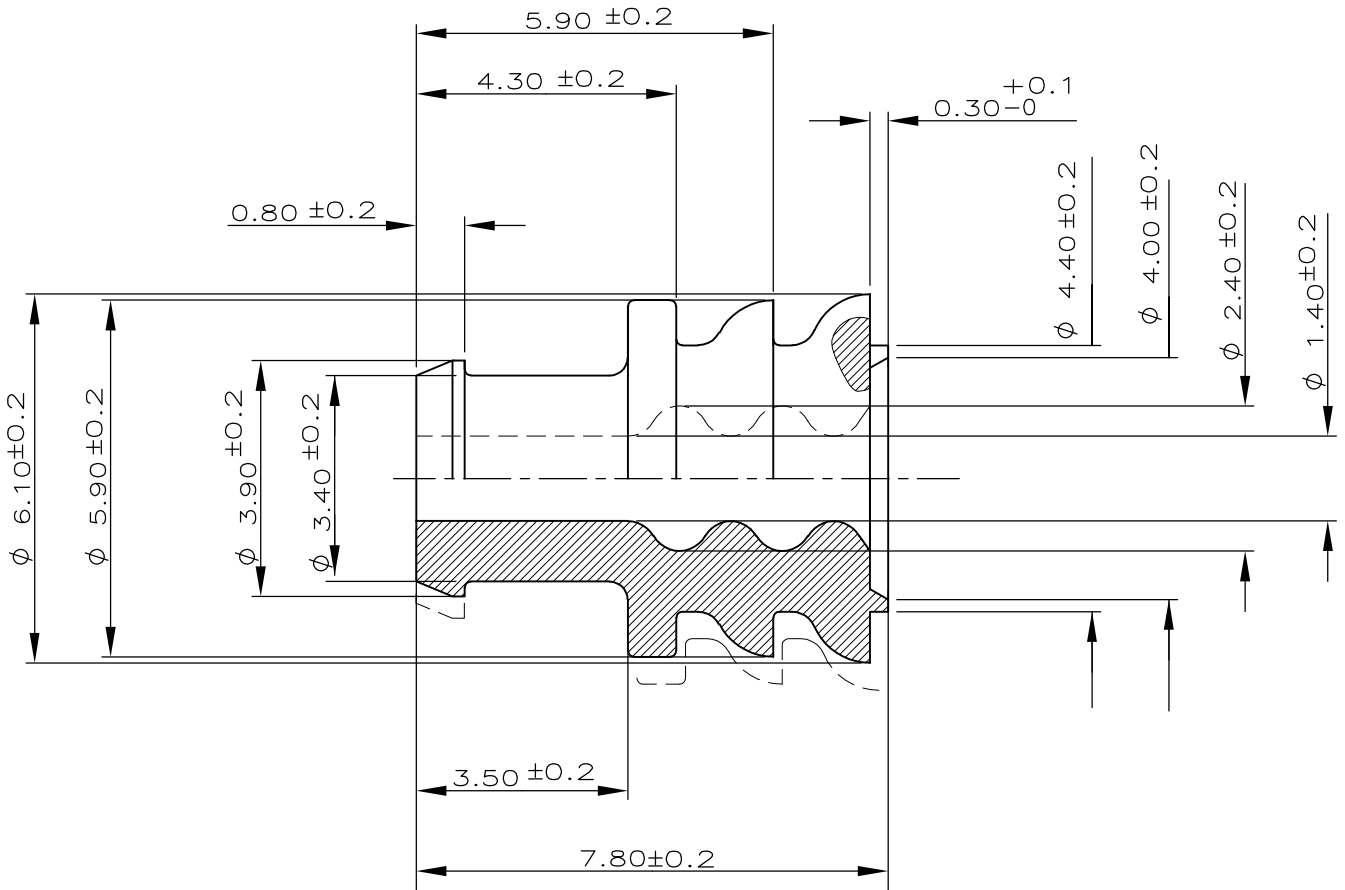
SIZE	CAGE CODE	DRAWING NO	RESTRICTED TO
A4	00779	C-281934	-

CUSTOMER DRAWING SCALE - SHEET 1 OF 3 REV H1

- 0 PLC ± -
- 1 PLC ± 0.3
- 2 PLC ± -
- 3 PLC ± -
- 4 PLC ± -
- ANGLES ± 2°



LOC I	DIST —	REVISIONS			
P	LTR	DESCRIPTION	DATE	DWN	APVD
	—	SEE SHEET 1	—	—	—



RELEASED FOR PUBLICATION

ALL RIGHTS RESERVED.

THIS DRAWING IS UNPUBLISHED.

By —
COPYRIGHT —

METRIC

DIAM. ISOLANTE
(INS. DIA. RANGE)
1.7—2.4mm

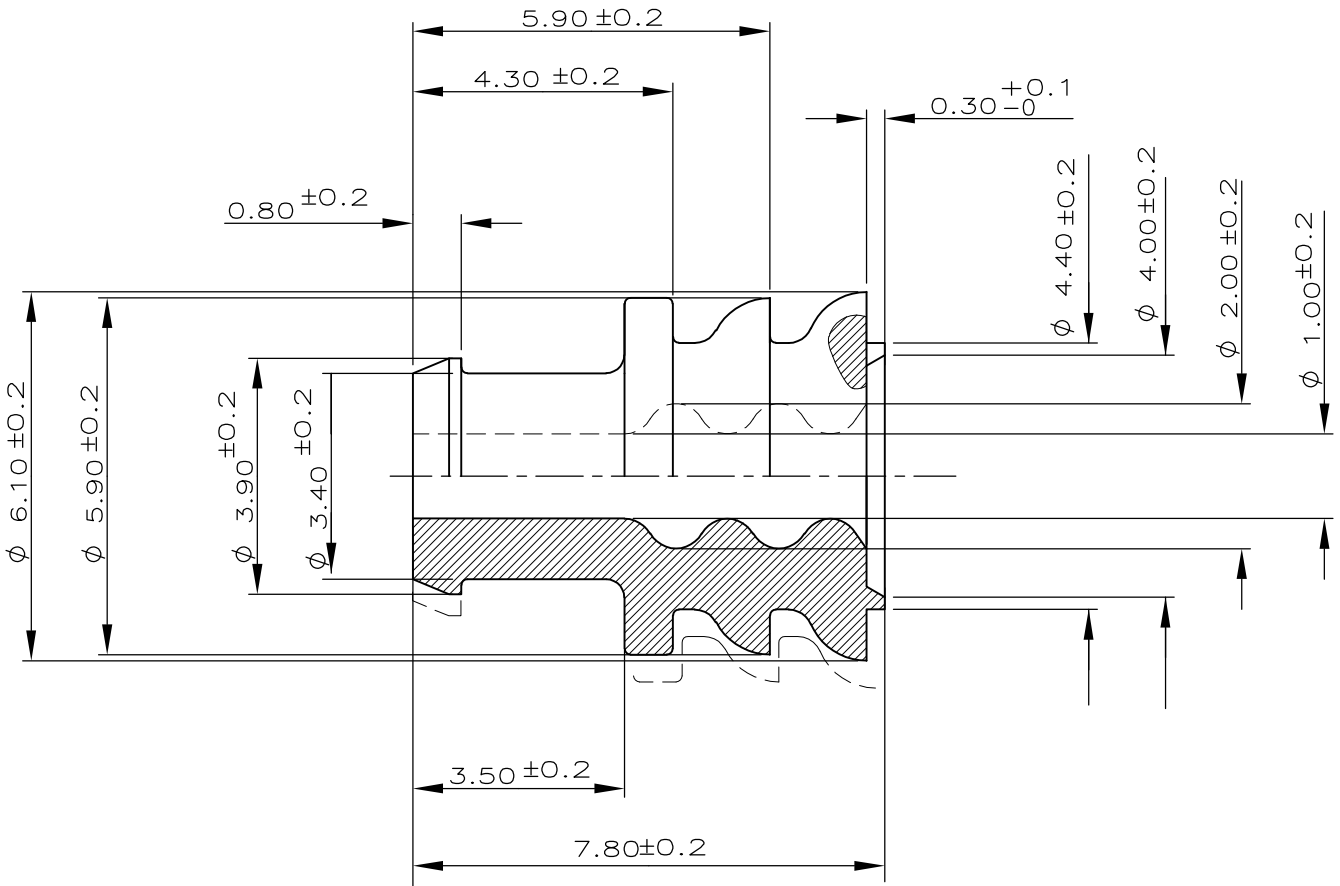
RANGO FILO
(WIRE RANGE)

GIALLO—YELLOW	GOMMA AL SILICONE SILICONE RUBBER	281934—2
FINITURA / COLORE (FINISH / COLOUR)	MATERIALE (MATERIAL)	NUMERO (PART NUMBER)

CUSTOMER DWG. FOR REFERENCE ONLY	DISEGNO PER CLIENTE SOLO PER RIFERIMENTO
-------------------------------------	---

DIMENSIONS: mm	DWN	—	MATERIAL	—	FINISH	—
	CHK	—	TE Connectivity			
TOLERANCES UNLESS OTHERWISE SPECIFIED:	APVD	—				
0 PLC ± — 1 PLC ± 0.3 2 PLC ± — 3 PLC ± — 4 PLC ± — ANGLES ± 2°	PRODUCT SPEC	—	NAME WIRE SEAL			
	APPLICATION SPEC	—	SIZE	CAGE CODE	DRAWING NO	RESTRICTED TO
WEIGHT	—	A4	00779	C=	281934	—
CUSTOMER DRAWING			SCALE	—	SHEET	2 OF 3
					REV	H1

LOC I	DIST —	REVISIONS			
P	LTR	DESCRIPTION	DATE	DWN	APVD
	—	SEE SHEET 1	—	—	—



RELEASED FOR PUBLICATION

ALL RIGHTS RESERVED.

THIS DRAWING IS UNPUBLISHED.

By —
COPYRIGHT —


METRIC

DIAM. ISOLANTE
(INS. DIA. RANGE)
1.2–1.6mm

RANGO FILO
(WIRE RANGE)

VERDE-GREEN	GOMMA AL SILICONE SILICONE RUBBER	281934-4
FINITURA / COLORE (FINISH / COLOUR)	MATERIALE (MATERIAL)	NUMERO (PART NUMBER)

CUSTOMER DWG. FOR REFERENCE ONLY	DISEGNO PER CLIENTE SOLO PER RIFERIMENTO
-------------------------------------	---

DIMENSIONS: mm	DWN	—	MATERIAL	—	FINISH	—
	CHK	—	 TE Connectivity			
TOLERANCES UNLESS OTHERWISE SPECIFIED:	APVD	—				
0 PLC ± — 1 PLC ± 0.3 2 PLC ± — 3 PLC ± — 4 PLC ± — ANGLES ± 2°	PRODUCT SPEC	—	NAME WIRE SEAL			
	APPLICATION SPEC	—	SIZE	CAGE CODE	DRAWING NO	RESTRICTED TO
WEIGHT	—	A4	00779	C-281934	—	—
CUSTOMER DRAWING			SCALE	—	SHEET	3 OF 3
					REV	H1