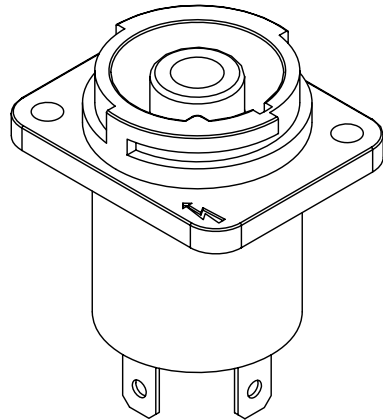
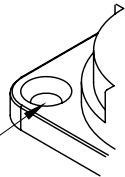


ISS.	AMEND	DATE
1	1st DRAWN	24/2/04

HOLE OPTION
SUFFIX C
Ø3.40 HOLE
C/SK 80/82°
TO Ø5.20



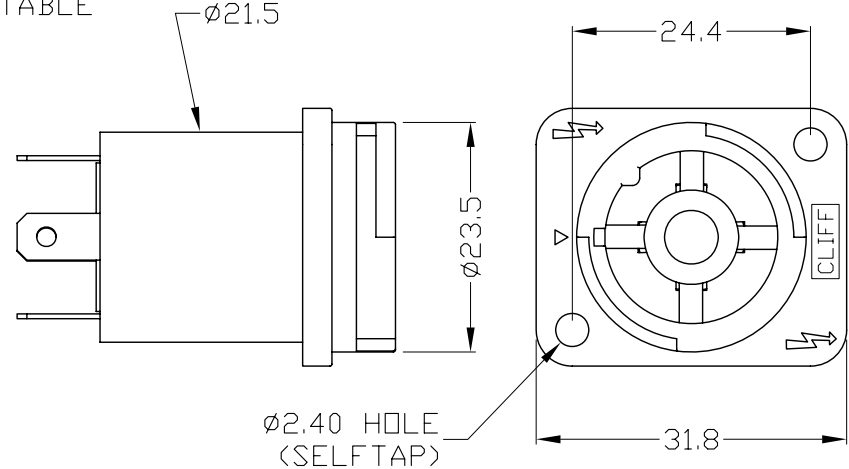
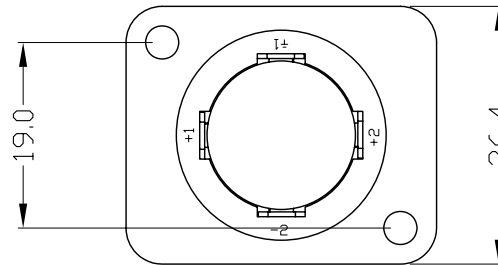
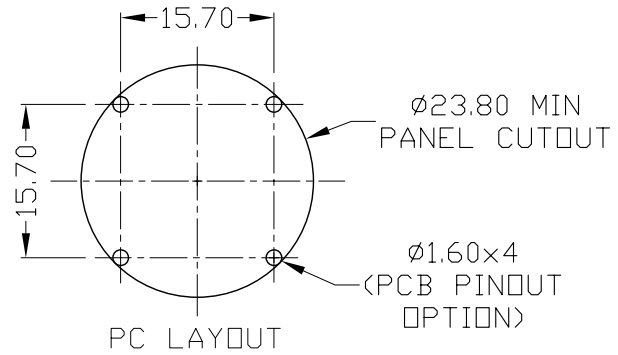
FCR69375

FCR2064SA3
(RED)

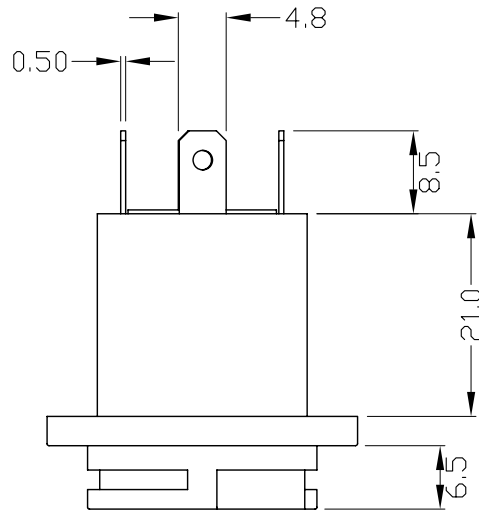
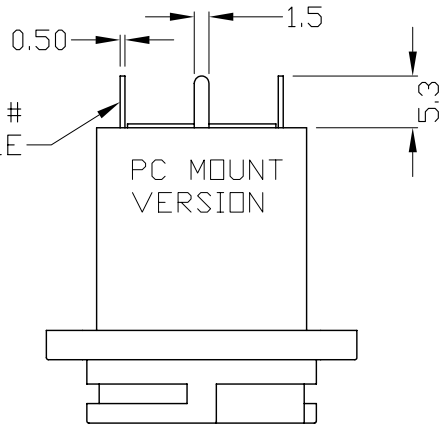
Ø2.0

CONTACT #
SEE TABLE

3.0



CONTACT #
SEE TABLE



VARIANTS

P/No.	MODEL	CONTACT
FCR2069	4PC/S/HV	FCR6930SA2
FCR2069C	4PC/S/HV WITH C/SK HOLES	FCR6930SA2
FCR20691	4PC/S/HV/PC PC MOUNTING	FCR6930SA6

Tolerance

NO DEC. PLACE ± 0.50
1 DEC. PLACE ± 0.20
2 DEC. PLACE ± 0.10
DIA. HOLES ± 0.10
ANGLES ± 1/2°
UNLESS
OTHERWISE STATED

ORIGINATED : 21/4/99

WHERE USED F.R.
SCALE N.T.S.

DIMENSIONS IN MILLIMETERS UNLESS OTHERWISE STATED. WORK TO DIMENSIONS. DO NOT SCALE DRAWING. 3rd ANGLE PROJECTION. REMOVE BURRS. IF IN DOUBT ASK.

Cliff Electronic Components Limited
76 Holmethorpe Ave., Holmethorpe Ind. Estate,
Redhill, Surrey. RH1 2PF. England.
Tel: 01737-771375 Fax: 01737-766012

MATERIAL COMPOSITE

FINISH CLEAN

DRAWN D.P.J.

APPD. RWT

TITLE 4 POLE CLIFFCON SOCKET 4PC/S/HV (RED / HV)

DRWG. No. **FCR 2069**

FORM:A4DRWGH