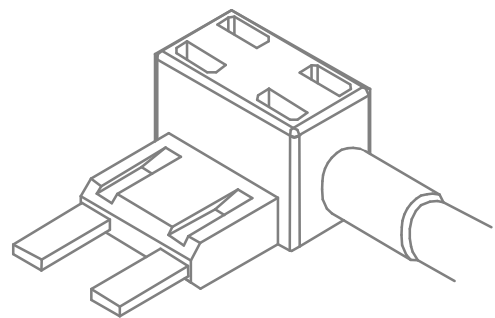


Notes and materials:

Body	Nylon PA66 UL 94V-0
Terminals	CuZn, Sn plated
Cable	125 ± 10mm, 16 AWG (1.3mm ²) red wire
Connector	PVC butt connector, min. 15KG pull-out force
Current rating	Max. 10 Amp for additional circuit
Fuse series	F7000 series miniOTO fuse, see table

F7000 series miniOTO blade fuse ref. table:

Rating [A]	Color	Volt [V]	iMaXX Reference
3	Violet	32	F7003
4	Pink	32	F7004
5	Tan	32	F7005
7.5	Brown	32	F7075
10	Red	32	F7010
15	Blue	32	F7015
20	Yellow	32	F7020
25	Natural	32	F7025
30	Green	32	F7030



Revisions			Date	Appr.
Date	Type	Drawn		
a 09/11	updated dimensions	Checked	01/09	GRH
b 05/13	updated tables	Standards	05/17	BE
c 05/17	updated notes and materials table	Approved	05/17	AdH



		Scale	not to scale	Title	H7400 series, Circuit+ miniOTO fuse
		Projection	Tolerance ± 0.2 mm unless otherwise noted	Drawing type	schematic
				Drawing number	H7400 drawing 1
				Sheet	1 of 1
				Layers / Sheet	0 1 2 6 9 11 Sheet 01