

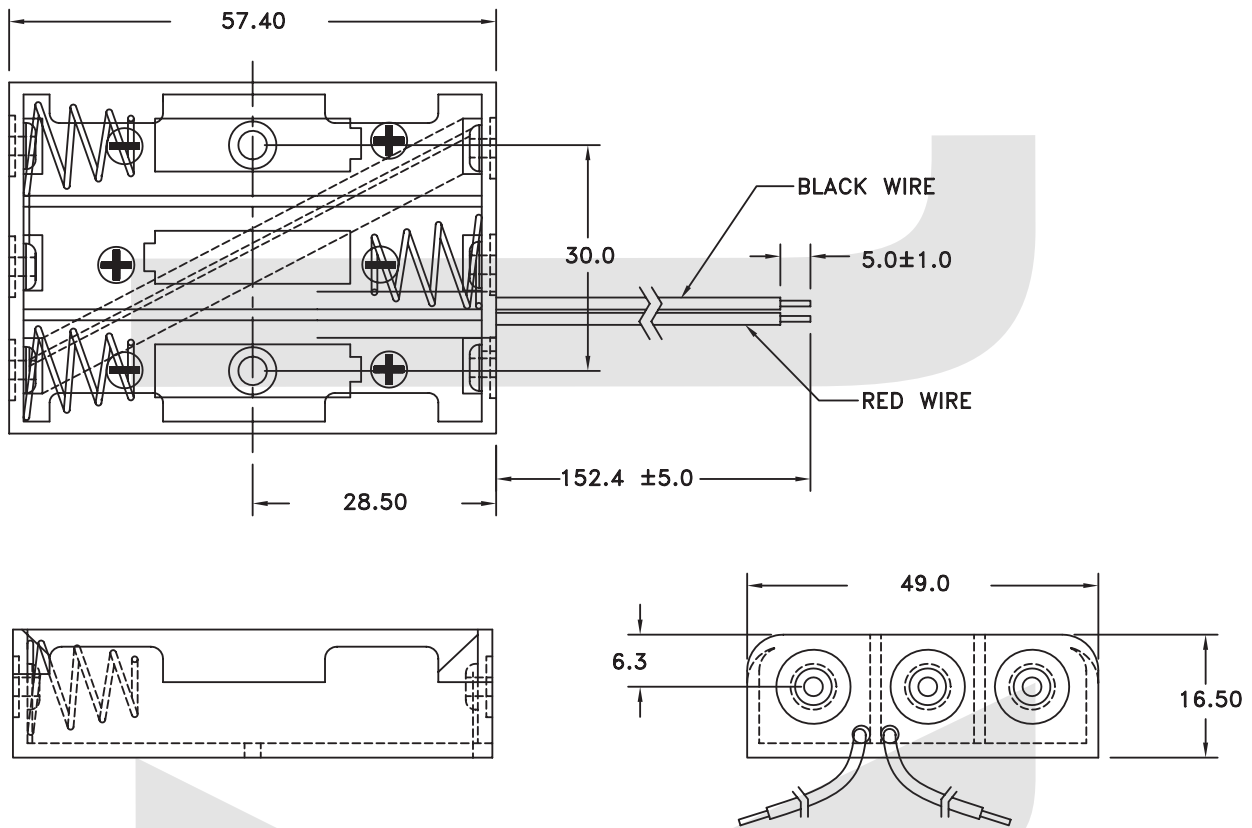
FUSE AND FUSE HOLDER



Cell Box Series

KLS5-806 UM-3 OR "AA" Cell Box Series

WIRE: UL 1007, # 26 AWG
 BLACK & RED: 150 MM ± 5MM
 STRIP & TIN: 5 MM ± 1MM
 MATERIAL: A. B. S. RESIN BLACK COLOR
 SPRING: .6 MM 65C SPRING WIRE
 DESCR.: FOR ONE "AA" CELLS



ORDER INFORMATION

Product NO.: **KLS5-806-B**

Part Number
Cell Box Series

TYPE:
 A: With Soldered lug
 B: With Wire L=15cm or other
 C: With 6 Prong
 D: With Pin