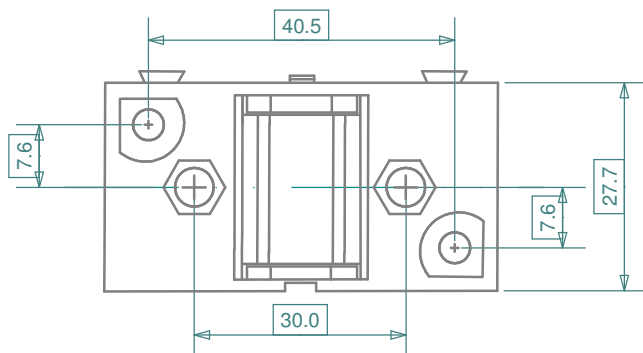
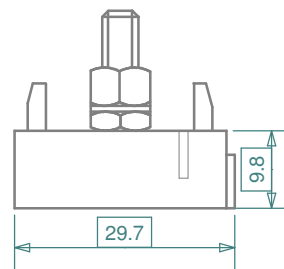
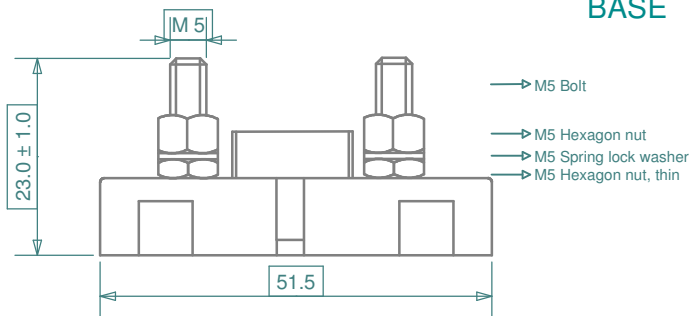


BASE



NOTES:

Base material PA6.6FR GF30, UL94 V0, color black
 Cover material PA6FR, UL94 V0, color black
 Two M5 studs to install midiOTO,
 MSU or MSO type fuses
 Nut mounting torque 2 - 3 Nm

Revisions		Date	Appr.
	Date	Type	Drawn
b	11/03	added cover skirts	Checked
c	02/08	re-drawn	Standards
d	06/10	added cable hole dimensions	Approved
e	07/11	updated dimensions	
f	05/14	updated dimensions / notes	Scale 1 : 1
g	12/17	updated dimensions, new tooling	Projection



Title	HMD1 series, midiOTO fuse holder
Drawing type	schematic
Drawing number	HMD1 drawing 1
Sheet	1 of 1
Layers / Sheet	0 1 2 3 4 6 8

Sheet 01