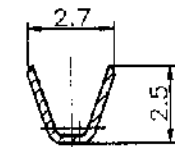
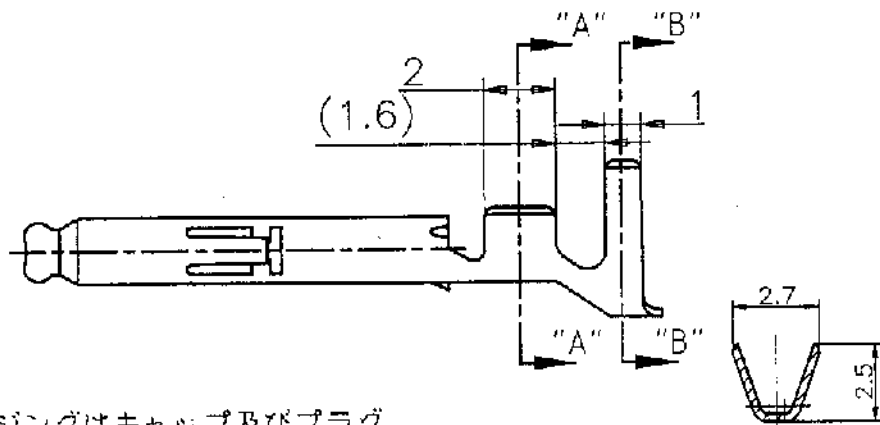
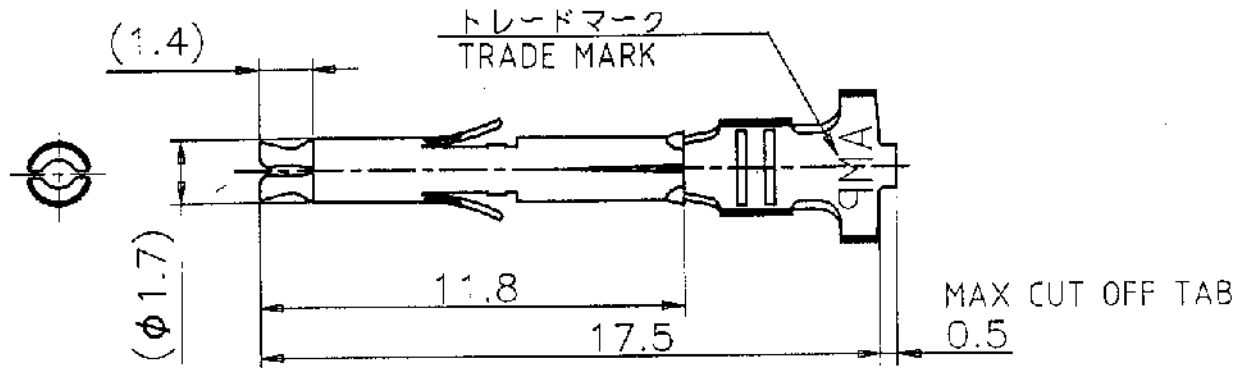
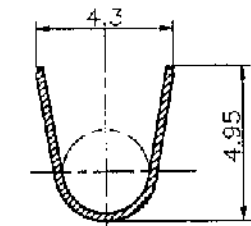


LOC	DIST	REVISIONS					
		P	CTR	DESCRIPTION	DATE	DWN	APVD
		B1		REVISED PER ECO-11-005030	22MAR11	RK	HMR



SECT A-A



SECT B-B

注記)

1. 使用ハウジングはキャップ及びプラグ
- △ 製品規格 108-5138, 108-5151
- △ 取付適用規格 114-5050
4. 取扱説明書 411-5105

NOTES)

1. APPLICABLE HOUSING; CAP AND PLUG
- △ PRODUCT SPECIFICATION 108-5138, 108-5151
- △ APPLICATION SPECIFICATION 114-5050
4. INSTRUCTION SHEET 411-5105

171639-1
型番 (PART NO.)

WIRE RANGE 線径範囲 0.5-1.3mm <sup>1</sup> AWG #20-16	INSULATION DIA 絶縁外径 2.0-3.2mmDIA 2.4mmDIAx2
MATERIAL 材質 黄銅 (BRASS): 0.25t	FINISH 仕上 PRE-TIN

DIMENSIONS: 単位 MM	DWN <i>A. Bish</i> 16 FEB 00
TOLERANCES UNLESS OTHERWISE SPECIFIED: 一般公差 ±0.3	CHK <i>M. S.</i> 16 FEB 00
ANGLES ±1°	APVD <i>M. S.</i> 16 FEB 00
	PRODUCT SPEC 製品規格 表参照 SEE TABLE △2
	APPLICATION SPEC 取付適用規格 表参照 SEE TABLE △3

**TE** TE Connectivity

NAME  
名称 SOCKET (LOOSE PIECE)  
MINI UNIVERSAL MATE-N-LOK

SIZE 寸法	CAGE CODE 番	DRAWING NO 番	RESTRICTED TO
A4	00779	C=171639	

CUSTOMER DRAWING	SCALE 尺量 5:1	SHEET 1 OF 1	REV B1
------------------	-----------------	--------------	--------

参考図面

THIS DRAWING IS UNPUBLISHED. ALL RIGHTS RESERVED. COPYRIGHT