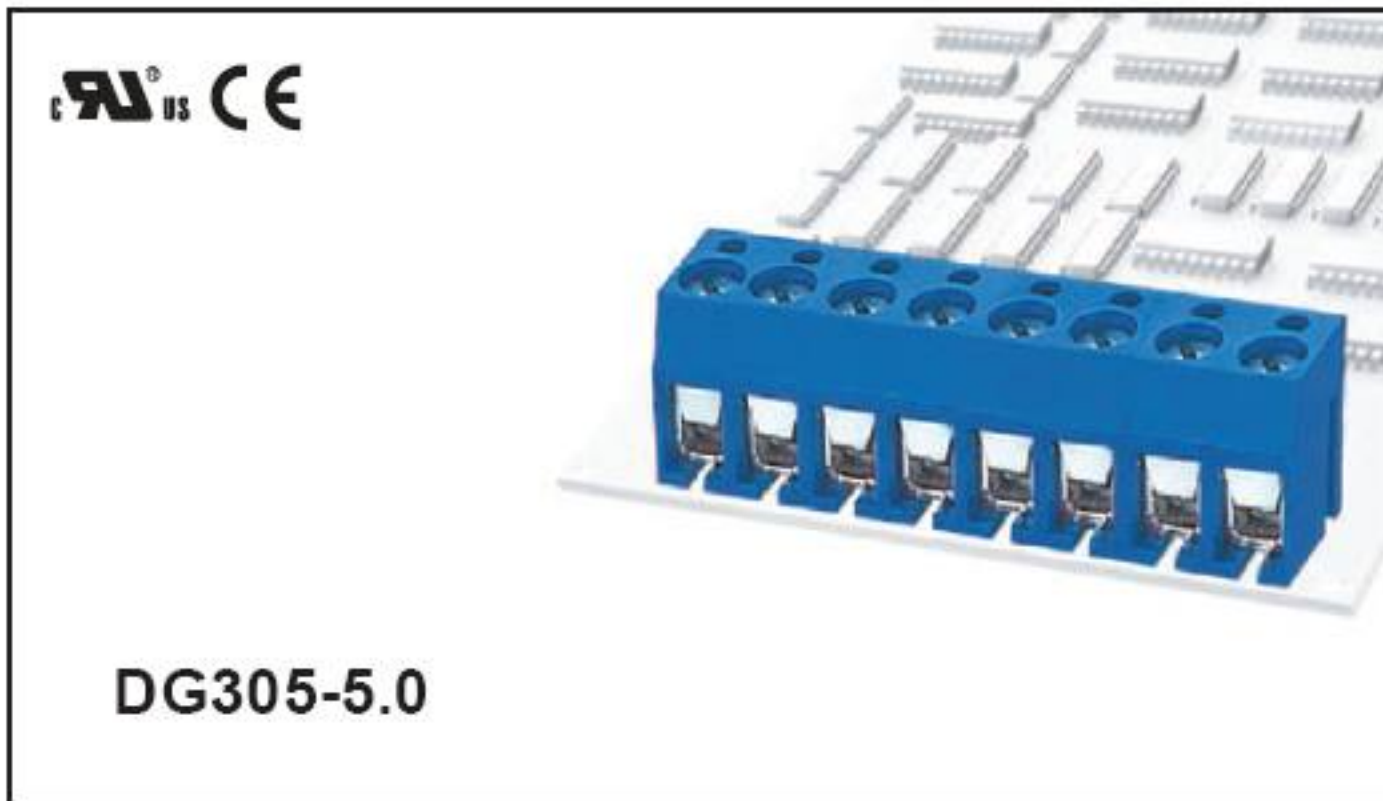


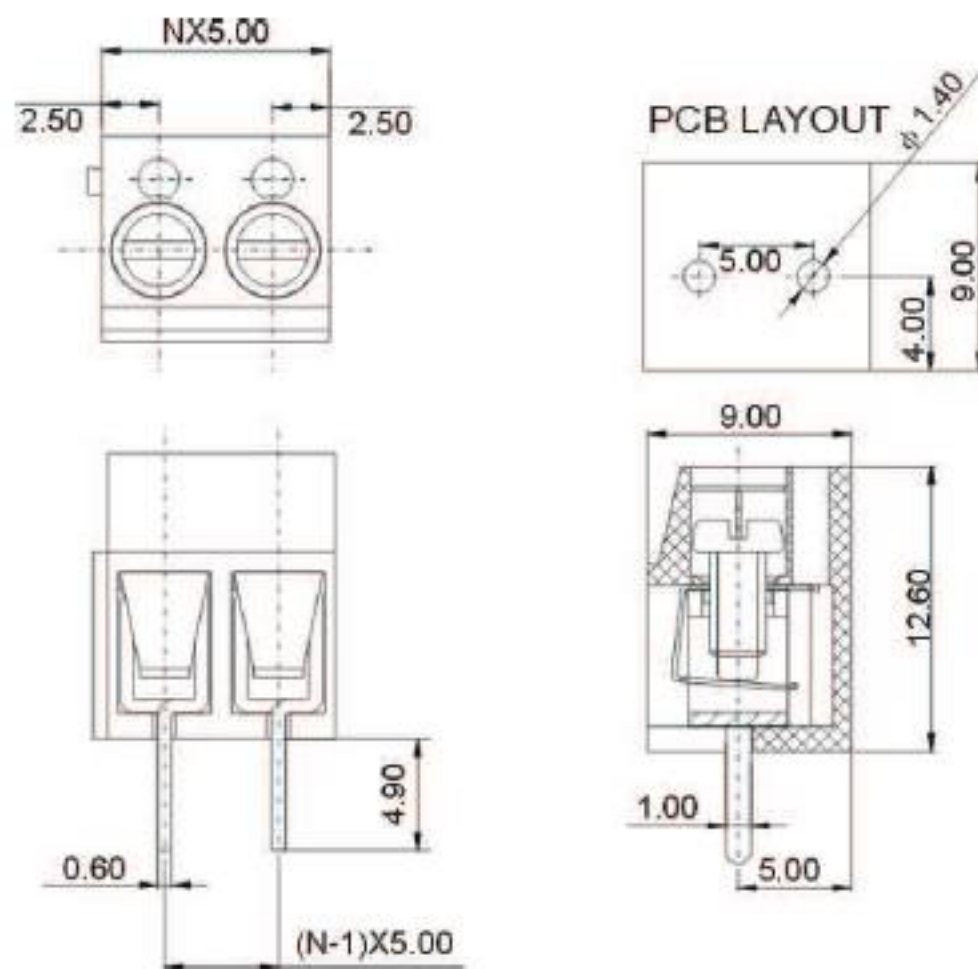


DEGSON ELECTRONICS CO., LTD.

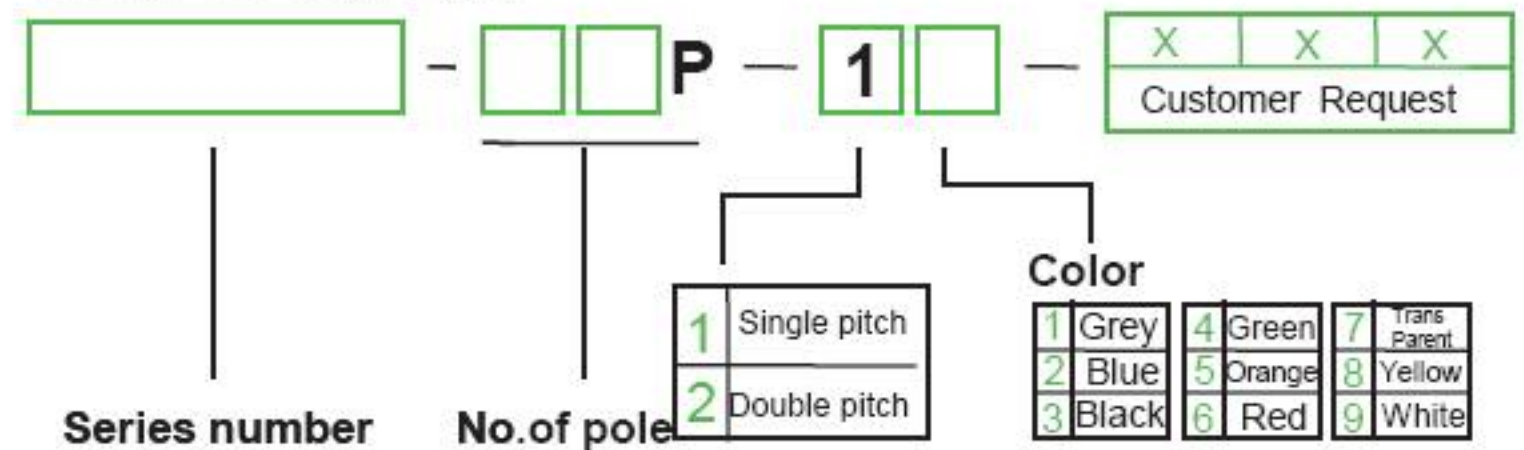
Product Specification



| | | |
|----------------------|--|--------------------|
| APPROVAL | UL | CE |
| Electrical | UL | IEC |
| Standard | 300V | 250V |
| Rated voltage | 15A | 20A |
| Rated current | 22-14AWG | 2.5mm ² |
| Wire range | AC2000V/1Min | |
| Withstanding voltage | | |
| Mechanical | | |
| Torque | 0.4Nm(3.5Lb-In) | |
| Ambient temperature | -30°C~+120 °C | |
| Strip length | 5-6mm | |
| Dimensions | | |
| Pitch | 5.0mm(.197") | |
| Poles | 2P,3P-24P | |
| Material | | |
| Housing | PBT,UL94V-0 | |
| Screws | M2.5,steel, Cr ³⁺ Zn-plated | |
| Pin header | Brass,Tin plated | |
| Wire guard | Stainless steel | |



HOW TO ORDER :



| | |
|-----------------------|-------------------------------------|
| mm (INCH) | DEGSON ELECTRONICS CO., LTD. |
| THIROANGLE PROJECTION | NAME DG305-5.0 |