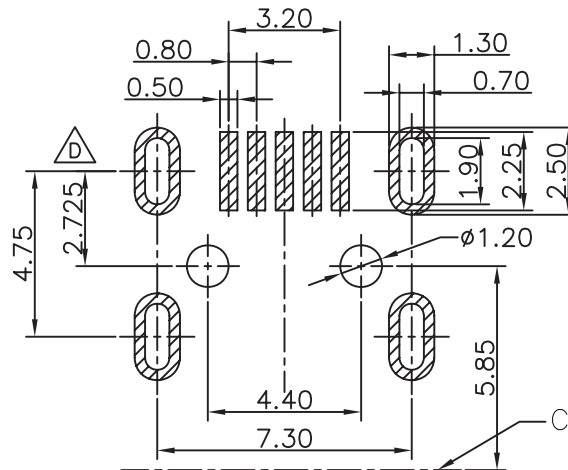
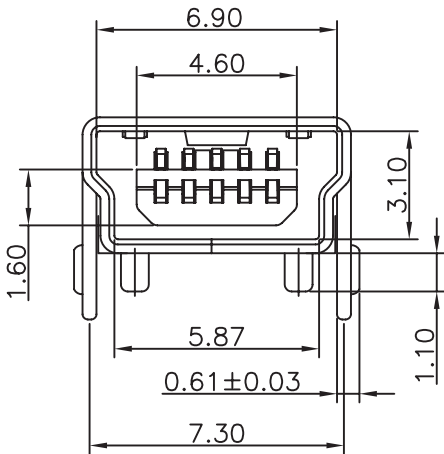
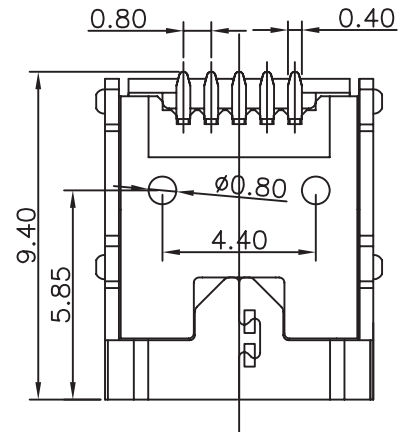
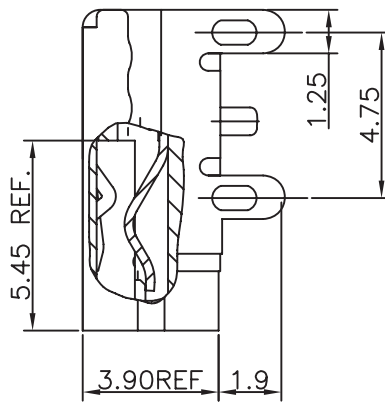
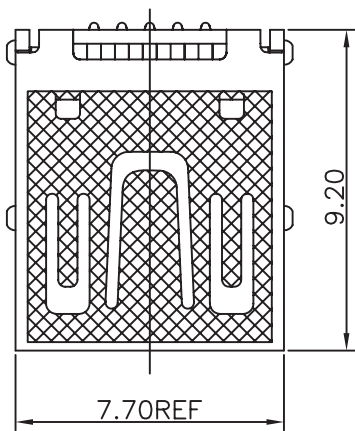


USB

Technical data:

Insulating material:	High temp. Thermoplast UL 94V-0
Contact material:	Phosphor bronze
Plating:	Selective gold
Rated current:	0,5 Amp.
Rated voltage:	40 V _{RMS} /V _{DC}
Withstand voltage:	500 V _{RMS} for one minute
Operating temperature:	-40°C to +105°C
Max. soldering temp.:	260°C for 10 seconds

pitch	rows	row distance	orientation	termination
			right angled	SMD



Recommended P.C.Board Layout

Connector Edge

Plating: S = Sel. Au

Order code: **397-Q-S-KS0A07**