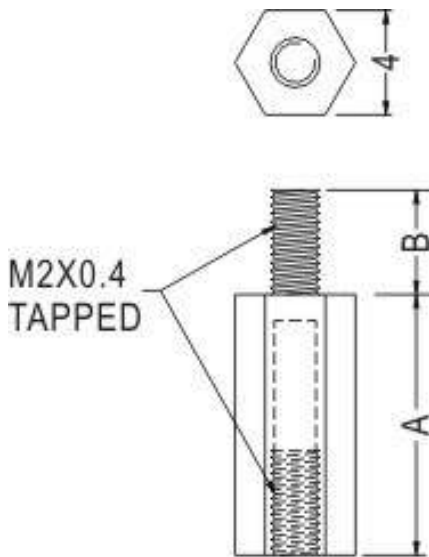


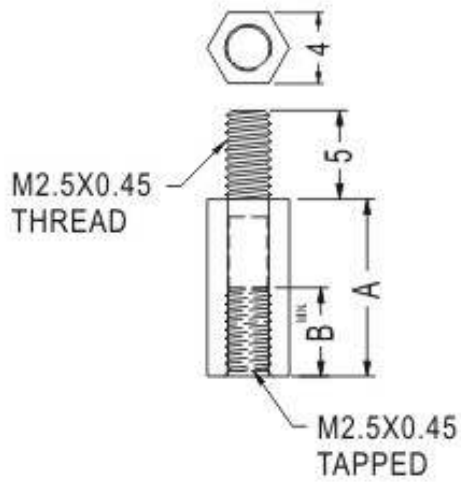


FIX-T/TP

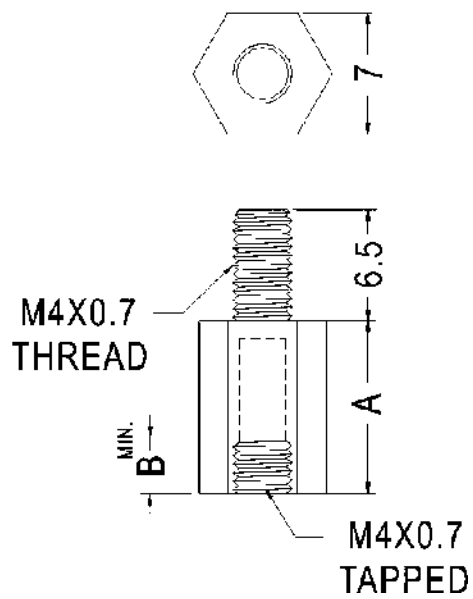
- ◆ MATERIAL: NYLON 66(UL)
- ◆ FLAME CLASS: 94V-2
- ◆ COLOR: NATURAL
- ◆ UNIT: mm



PART NO	A	B
FIX-TP2-5	5	5
FIX-TP2-5.5	5,5	
FIX-TP2-8	8	
FIX-TP2-10	10	
FIX-TP2-14	14	
FIX-TP2-15	15	
FIX-TP2-21	21	
FIX-TP2-28	28	
FIX-TP2-5S	5	4
FIX-TP2-8S	8	
FIX-TP2-10S	10	
FIX-TP2-15S	15	



PART NO	A	B
FIX-TP2.5-5	5	3
FIX-TP2.5-6	6	4
FIX-TP2.5-7	7	5
FIX-TP2.5-8	8	5
FIX-TP2.5-9	9	5
FIX-TP2.5-10	10	5
FIX-TP2.5-11	11	5
FIX-TP2.5-12	12	5
FIX-TP2.5-13	13	5
FIX-TP2.5-14	14	5
FIX-TP2.5-15	15	5
FIX-TP2.5-16	16	5
FIX-TP2.5-17	17	5
FIX-TP2.5-18	18	5
FIX-TP2.5-19	19	5
FIX-TP2.5-20	20	5
FIX-TP2.5-21	21	5
FIX-TP2.5-22	22	5
FIX-TP2.5-23	23	5
FIX-TP2.5-24	24	5
FIX-TP2.5-25	25	5
FIX-TP2.5-26	26	5
FIX-TP2.5-27	27	5
FIX-TP2.5-28	28	5



PART NO	A	B
FIX-T4-6	6	4
FIX-T4-8	8	6
FIX-T4-10	10	6
FIX-T4-12	12	6
FIX-T4-13	13	6
FIX-T4-14	14	6
FIX-T4-15	15	6
FIX-T4-16	16	6
FIX-T4-17	17	6
FIX-T4-19	19	6
FIX-T4-20	20	6
FIX-T4-25	25	6
FIX-T4-27	27	6
FIX-T4-30	30	6
FIX-T4-34	34	6
FIX-T4-35	35	6
FIX-T4-40	40	6
FIX-T4-45	45,5	6
FIX-T4-57	57	6