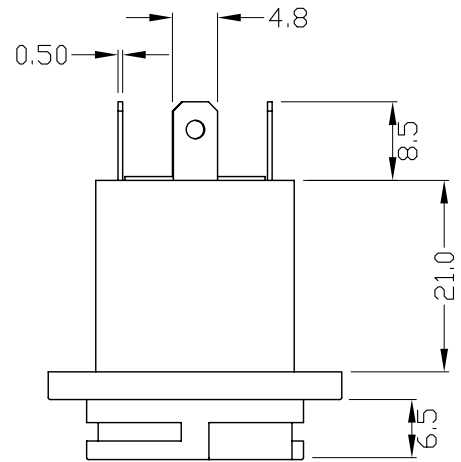
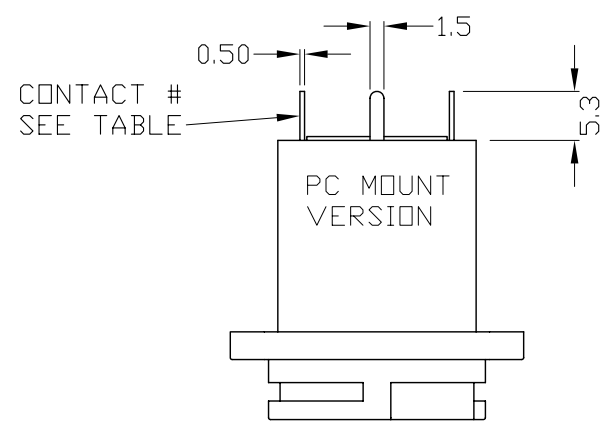
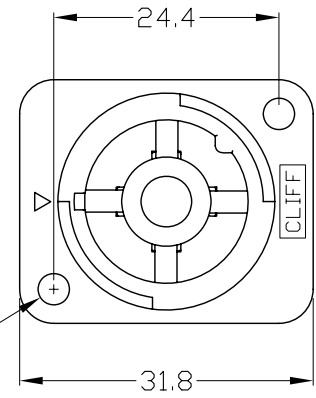
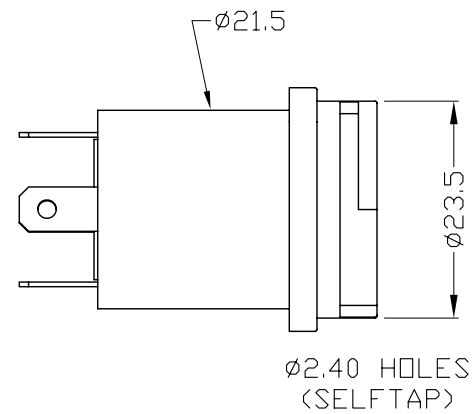
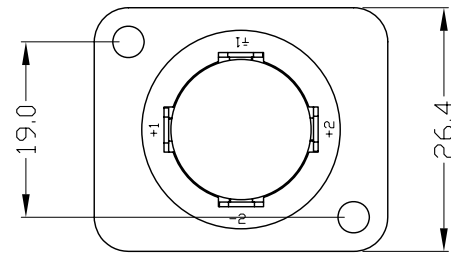
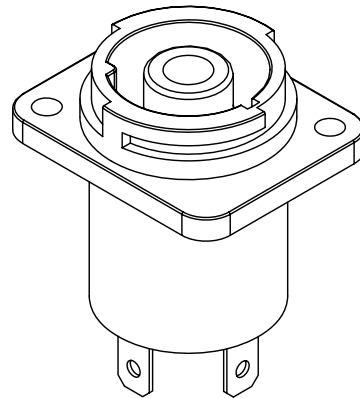
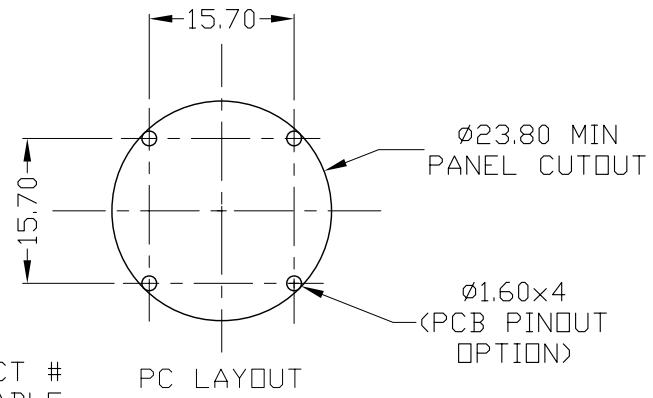
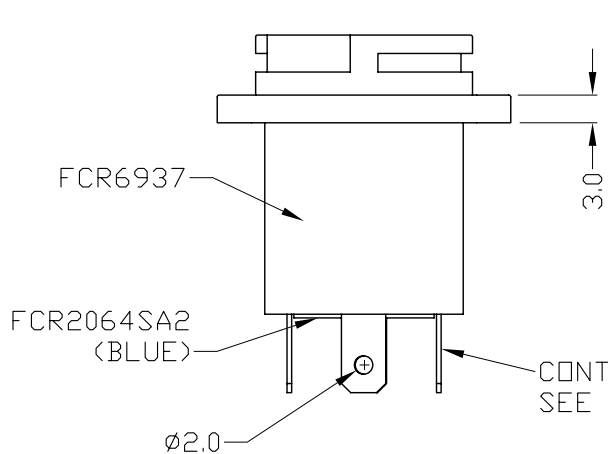
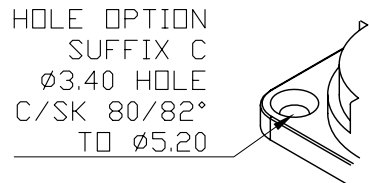


ISS.	AMEND	DATE
1	1st DRAWN	24/2/04
2	FCR20661 ADD	21/2/06
3	FCR20661 MOVED	19/5/06



VARIANTS		
P/No.	MODEL	CONTACT
FCR2068	4PC/S/LV	FCR6930SA2
FCR2068C	4PC/S/LV WITH C/SK HOLES	FCR6930SA2
FCR20681	4PC/S/LV/PC PC MOUNTING	FCR6930SA6

Tolerance

NO DEC. PLACE ± 0.50

1 DEC. PLACE ± 0.20

2 DEC. PLACE ± 0.10

DIA. HOLES ± 0.10

ANGLES ± 1/2°

UNLESS
OTHERWISE STATED

ORIGINATED : 21/4/99

WHERE USED F.R.
SCALE N.T.S.

DIMENSIONS IN MILLIMETERS UNLESS OTHERWISE STATED. WORK TO DIMENSIONS. DO NOT SCALE DRAWING. 3rd ANGLE PROJECTION. REMOVE BURRS. IF IN DOUBT ASK.

Cliff Electronic Components Limited
76 Holmethorpe Ave., Holmethorpe Ind. Estate,
Redhill, Surrey. RH1 2PF. England.
Tel: 01737-771375 Fax: 01737-766012

MATERIAL COMPOSITE	
FINISH CLEAN	
DRAWN D.P.J.	APPD. RWT

TITLE 4 POLE CLIFFCON SOCKET 4PC/S/LV (BLUE / LV)	FORM:A4DRWGH
DRWG. No. FCR 2068	