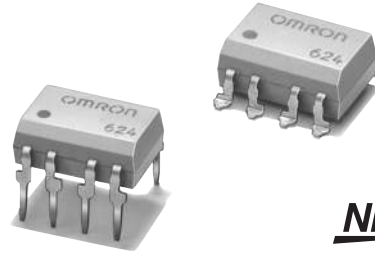


## MOS FET Relays

G3VM-62C1/F1

### New Analog-switching MOS FET Relays with 2 Output channels. Dielectric Strength of 2.5 kVAC between I/O.

- New 2-channel model included in the 60-V load voltage series.
- Switches minute analog signals.
- Dielectric strength of 2,500 Vrms between I/O.
- Surface-mounting models included in series.



**NEW**

**Note:** The actual product is marked differently from the image shown here.

### Application Examples

- Measurement devices
- Security systems

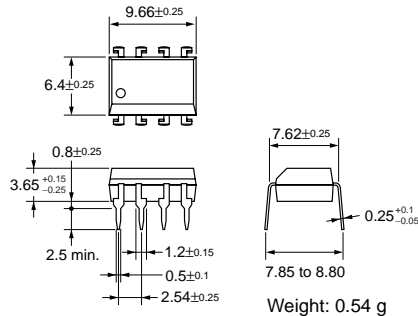
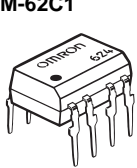
### List of Models

Contact form	Terminals	Load voltage (peak value)	Model	Number per stick	Number per tape
DPST-NO	PCB terminals	60 VAC	G3VM-62C1	50	---
	Surface-mounting terminals		G3VM-62F1		
			G3VM-62F1(TR)		

### Dimensions

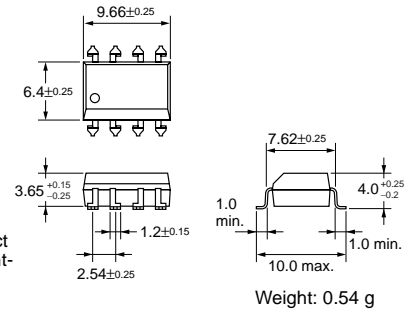
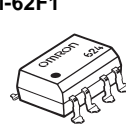
**Note:** All units are in millimeters unless otherwise indicated.

#### G3VM-62C1



**Note:** The actual product is marked differently from the image shown here.

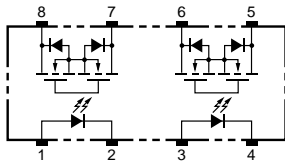
#### G3VM-62F1



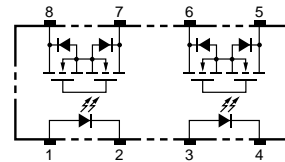
**Note:** The actual product is marked differently from the image shown here.

### Terminal Arrangement/Internal Connections (Top View)

#### G3VM-62C1

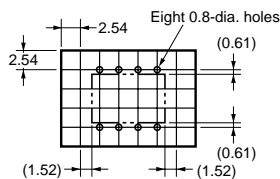


#### G3VM-62F1



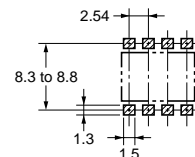
### PCB Dimensions (Bottom View)

#### G3VM-62C1



### Actual Mounting Pad Dimensions (Recommended Value, Top View)

#### G3VM-62F1



**Absolute Maximum Ratings (Ta = 25°C)**

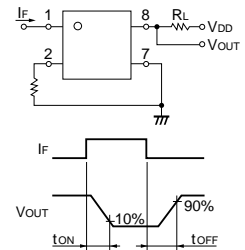
Item	Symbol	Rating	Unit	Measurement Conditions	
Input	LED forward current	$I_F$	50	mA	
	Repetitive peak LED forward current	$I_{FP}$	1	A	100 $\mu$ s pulses, 100 pps
	LED forward current reduction rate	$\Delta I_F/^\circ\text{C}$	-0.5	mA/°C	Ta $\geq$ 25°C
	LED reverse voltage	$V_R$	5	V	
	Connection temperature	$T_j$	125	°C	
Output	Output dielectric strength	$V_{OFF}$	60	V	
	Continuous load current	$I_O$	500	mA	
	ON current reduction rate	$\Delta I_{ON}/^\circ\text{C}$	-5.0	mA/°C	Ta $\geq$ 25°C
	Connection temperature	$T_j$	125	°C	
Dielectric strength between input and output (See note 1.)		$V_{I-O}$	2,500	Vrms	AC for 1 min
Operating temperature		$T_a$	-40 to +85	°C	With no icing or condensation
Storage temperature		$T_{stg}$	-55 to +125	°C	With no icing or condensation
Soldering temperature (10 s)		---	260	°C	10 s

**Note:** 1. The dielectric strength between the input and output was checked by applying voltage between all pins as a group on the LED side and all pins as a group on the light-receiving side.

**Electrical Characteristics (Ta = 25°C)**

Item	Symbol	Minimum	Typical	Maximum	Unit	Measurement conditions	
Input	LED forward voltage	$V_F$	1.0	1.15	1.3	V	$I_F = 10$ mA
	Reverse current	$I_R$	---	---	10	$\mu$ A	$V_R = 5$ V
	Capacity between terminals	$C_T$	---	30	---	pF	V = 0, f = 1 MHz
	Trigger LED forward current	$I_{FT}$	---	1.6	3	mA	$I_O = 500$ mA
Output	Maximum resistance with output ON	$R_{ON}$	---	1.0	2.0	$\Omega$	$I_F = 5$ mA, $I_O = 500$ mA
	Current leakage when the relay is open	$I_{LEAK}$	---	---	1.0	$\mu$ A	$V_{OFF} = 60$ V
Capacity between I/O terminals		$C_{I-O}$	---	0.8	---	pF	f = 1 MHz, Vs = 0 V
Insulation resistance		$R_{I-O}$	1,000	---	---	M $\Omega$	$V_{I-O} = 500$ VDC, RoH $\leq$ 60%
Turn-ON time		tON	---	0.8	2.0	ms	$I_F = 5$ mA, $R_L = 200 \Omega$ , $V_{DD} = 20$ V (See note 2.)
Turn-OFF time		tOFF	---	0.1	0.5	ms	

**Note:** 2. Turn-ON and Turn-OFF Times



**Recommended Operating Conditions**

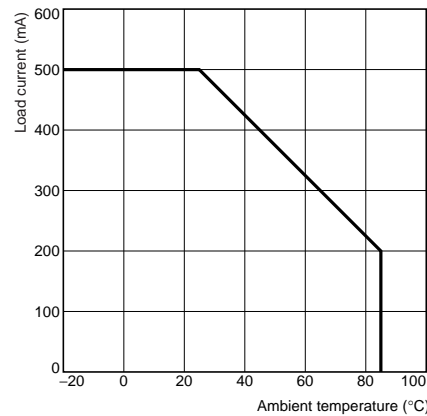
Use the G3VM under the following conditions so that the Relay will operate properly.

Item	Symbol	Minimum	Typical	Maximum	Unit
Output dielectric strength	$V_{DD}$	---	---	48	V
Operating LED forward current	$I_F$	5	7.5	25	mA
Continuous load current	$I_O$	---	---	500	mA
Operating temperature	$T_a$	-20	---	65	°C

**Engineering Data**

**Load Current vs. Ambient Temperature**

G3VM-62C1(F1)



**Safety Precautions**

Refer to page 6 for precautions common to all G3VM models.