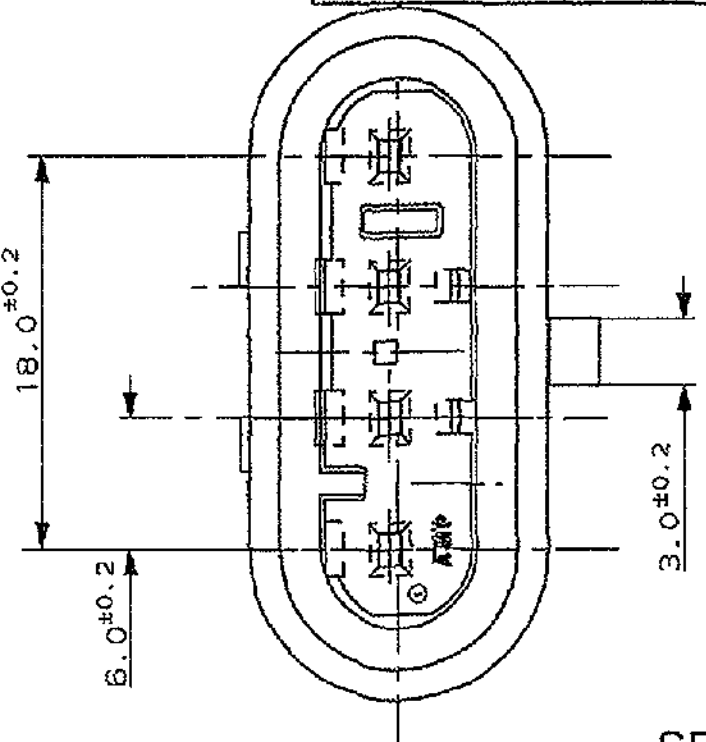
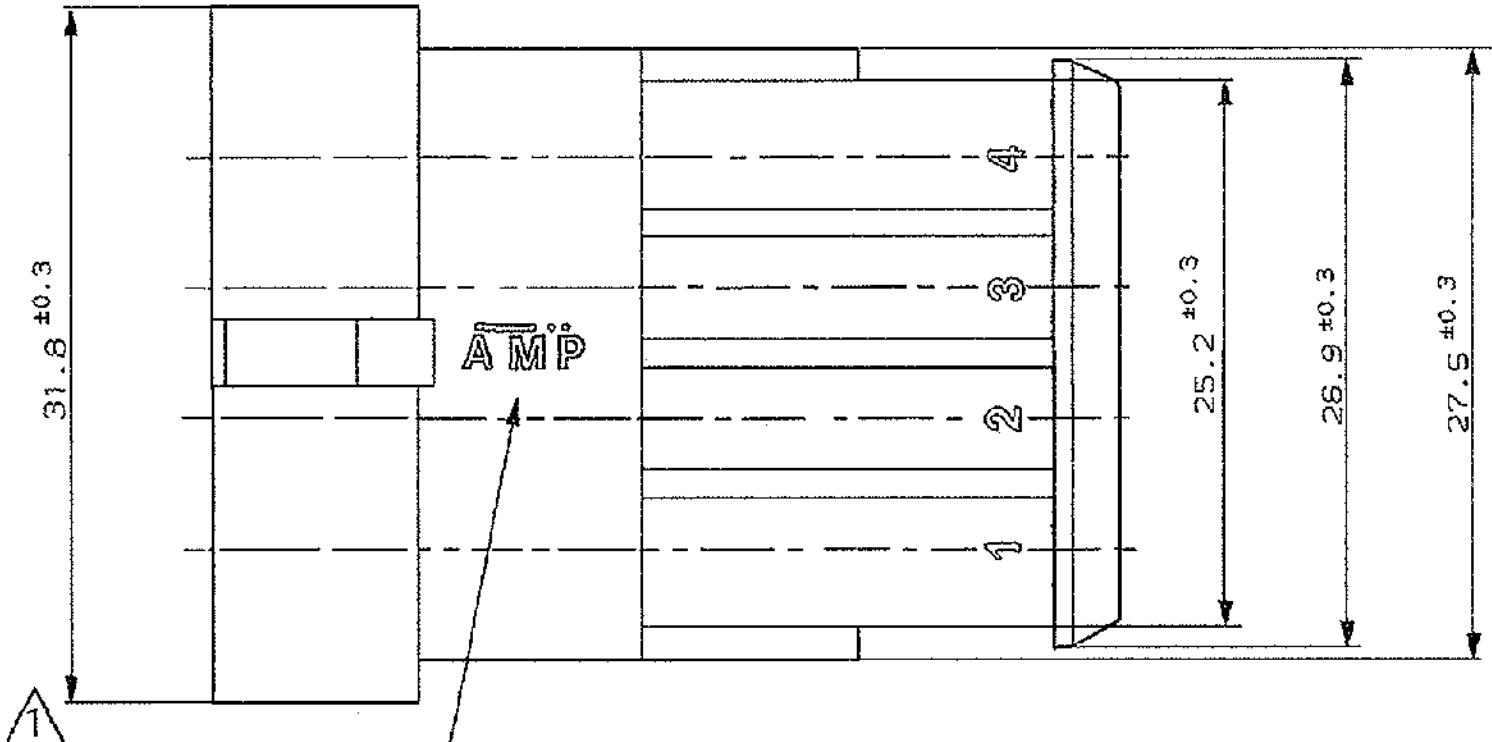


1 2 3 4 5 6 7 8

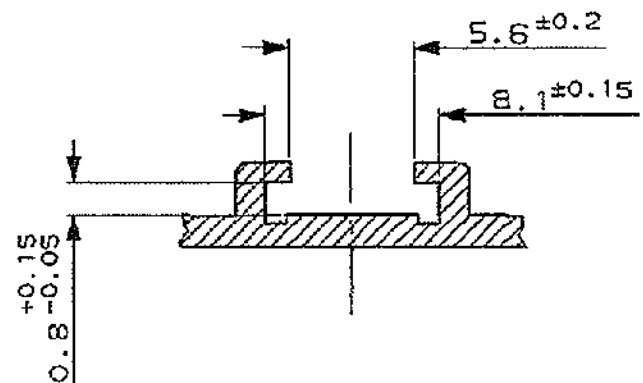
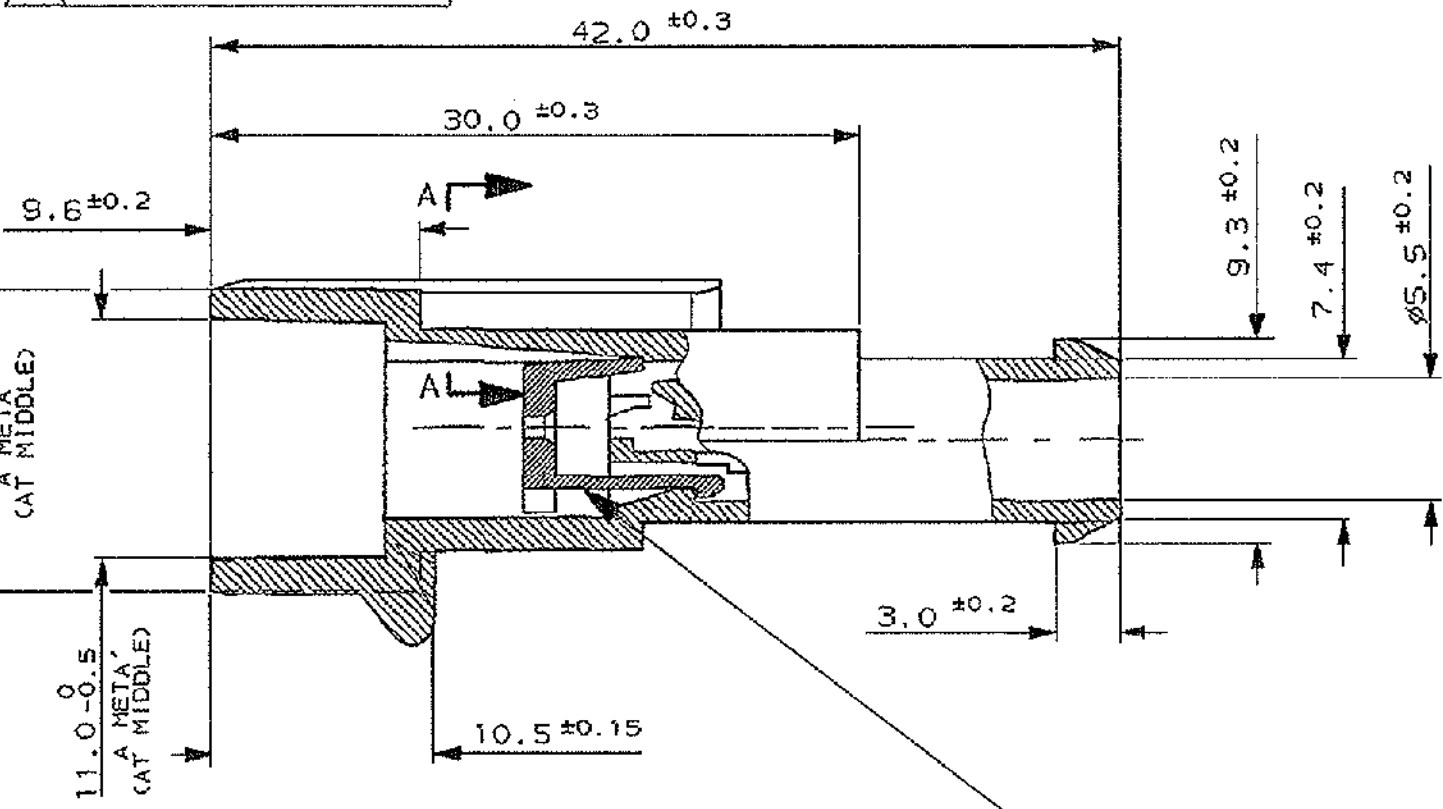
SCALA NON IMPEGNATIVA  
(DO NOT SCALE)  
DIMENSIONI IN  
(DIMENSIONS IN) mm

**METRIC**

PROIEZIONE EUROPEA  
(EUROPEAN PROJECTION)



SEZ. PARZ. A-A  
(PART. SECT. A-A)



AGGANCIAMENTO SECONDARIO, COLORE ROSSO, PRE-ASSEMBLATO  
(SECONDARY LOCK, RED COLOUR, IN PRE-ASSEMBLED POSITION)

GRIGIO (GREY)	PA 6.6 CAR. VETRO	282106-2
NERO (BLACK)	(PA 6.6 G.F.)	282106-1
FINITURA / COLORE (FINISH / COLOUR)	MATERIALE (MATERIAL)	NUMERO (PART NUMBER)

CUSTOMER DWG. FOR REFERENCE ONLY      DISEGNO PER CLIENTE SOLO PER RIFERIMENTO

~~THIS DRAWING IS UNPUBLISHED~~      RELEASE FOR PUBLICATION      19

TOLLERANZE, SE NON DIVERSAMENTE SPECIFICATO (TOLERANCES, UNLESS OTHERWISE SPECIFIED)	DIAM. ISOLANTE (INS. DIA. RANGE)	RANGO FILO (WIRE RANGE)	SCALA (SCALE)
ANGOLI (ANGLES) ± 0.3	-	-	-
ANGOLI (ANGLES) ± 2°	<b>STE</b> TE Connectivity		

DIS. (OR.) C. BERTINI 2-90      DESCRIZIONE (DESCRIPTION) 4 POS TAB ASS'Y

CONT. (CHKD) A. BRUNI 2-90      AMP SUPERSEAL 1.5 SERIES CONNECTORS

⚠ LOGO "AMP" O, IN ALTERNATIVA, LOGO "TYCO"  
(“AMP” TRADE MARK OR, IN ALTERNATIVE, “TYCO” TRADE MARK)

B2	REVISED PER ECO-11-009901	RK	APP. (APP.)	LOC. SIZE SUPERO (CONS. NO.)	REV.	FOLIO (SHEET)
REV. (REV.)	REVISIONI (REVISION RECORD)	DIS. DATA (OR)	APP. (APP.)	I A3	B2	1 D1 (OF) 1

DISTRIBUZIONE (PRINT DIST.)