

THIS DRAWING IS UNPUBLISHED. RELEASED FOR PUBLICATION  
 © COPYRIGHT - By - ALL RIGHTS RESERVED.

LOC	DIST	REVISIONS 変更					
J	-	P	LTR	DESCRIPTION	DATE	DWN	APVD
			F2	REVISED PER ECO-11-005030	11MAR11	RK	HMR

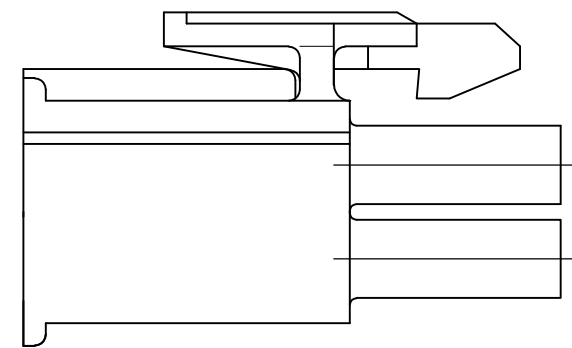
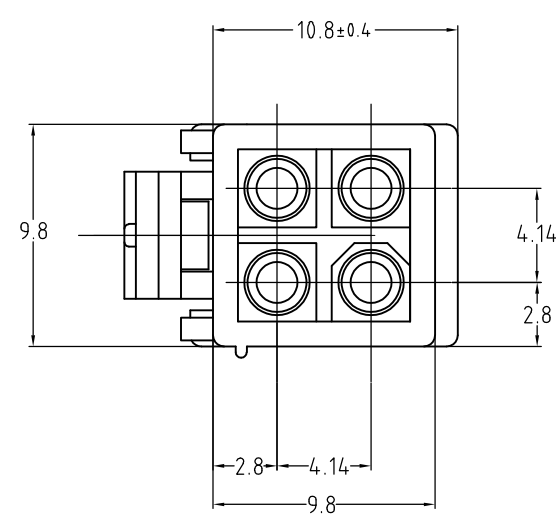
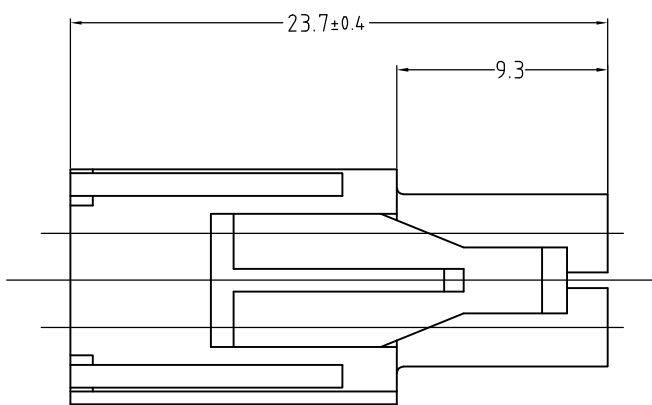
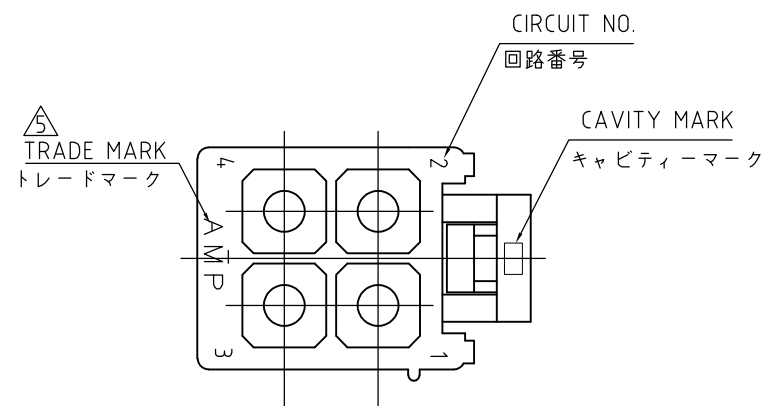


表 1 TABLE 1

TRADE MARK	MANUFACTURING PLACE
-AMP OR AMP	JAPAN
-+AMP OR AMP	CHINA(PRC)

- NOTE)
1. APPLIED CONTACT P/N:170359,170360,170361,170362
  2. MATING CONN.:CAP HOUSING P/N:172159
  3. INSTRUCTION SHEET :IS-105J
  4. PRODUCT SPEC :108-5138
  5. SEE TABLE1
  6. OBSOLETE PARTS: OBSOLETE CIS STREAMLINING PER D.RENAUD/D.SINISI
- 注記)
1. 使用端子親型番は 170359,170360,170361,170362
  2. 嵌合相手キャップハウジング型番は口-172159-口
  3. 取扱説明書 :IS-105J
  4. 製品規格 :108-5138
  5. 表 1参照

6. OBSOLETE	黒 (BLACK)	1-172167-9
	青 (BLUE)	1-172167-5
	緑 (GREEN)	1-172167-2
	赤 (RED)	1-172167-1
	自然色 (NATURAL)	172167-1
	色 (COLOR)	型番 (PART NO.)

THIS DRAWING IS A CONTROLLED DOCUMENT.		DWN A.OISHI 10SEP03	TE Connectivity				
DIMENSIONS: 単位: 耗 mm		CHK M.SHINDO 10 SEP.03					
TOLERANCES UNLESS OTHERWISE SPECIFIED: 一般公差		APVD M.SHINDO 10 SEP.03	NAME 名称 MINI UNIVERSAL MATE-N-LOK PLUG HOUSING 4Pos. (UL94V-0)				
		PRODUCT SPEC 製品規格 108-5138	SIZE	CAGE CODE	DRAWING NO 番号	RESTRICTED TO	
MATERIAL 材料 66 NYLON UL94V-0		FINISH 仕上	A3	00779	G-172167	-	
		WEIGHT	CUSTOMER DRAWING		SCALE 尺度 3:1	SHEET 1 OF 1	REV F2